

Block Diagram

iCore2

<http://i-board.taobao.com>

<http://XiaomaGee.cnblogs.com>

QQ Group[VIP]: 275946718

电子学堂官方出品

NOTES:

1. Notes here.

REV	DATE	PAGES	DESCRIPTION
0.0.0	09/04/2006	ALL	Created

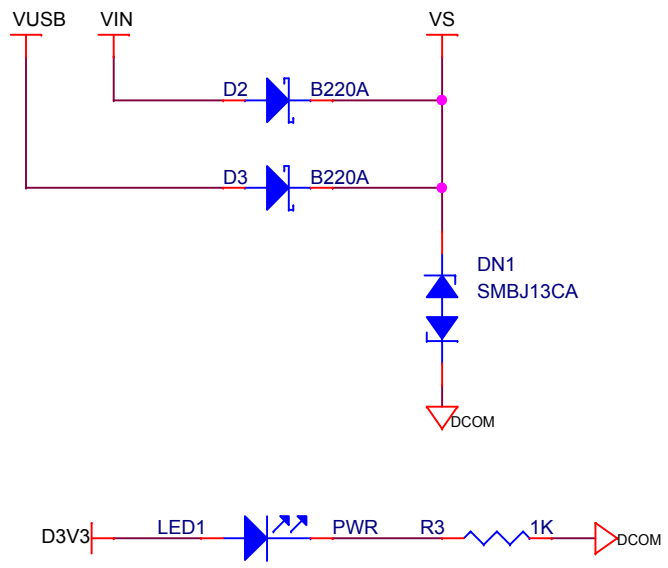
PAGES	DESCRIPTION
0	Title, Note, Block Diagram, Revision
1	History.....
2
3
4
5
6
7
8
9
A
B
C
D
E
F
10
11
12
13

Engineer: -----

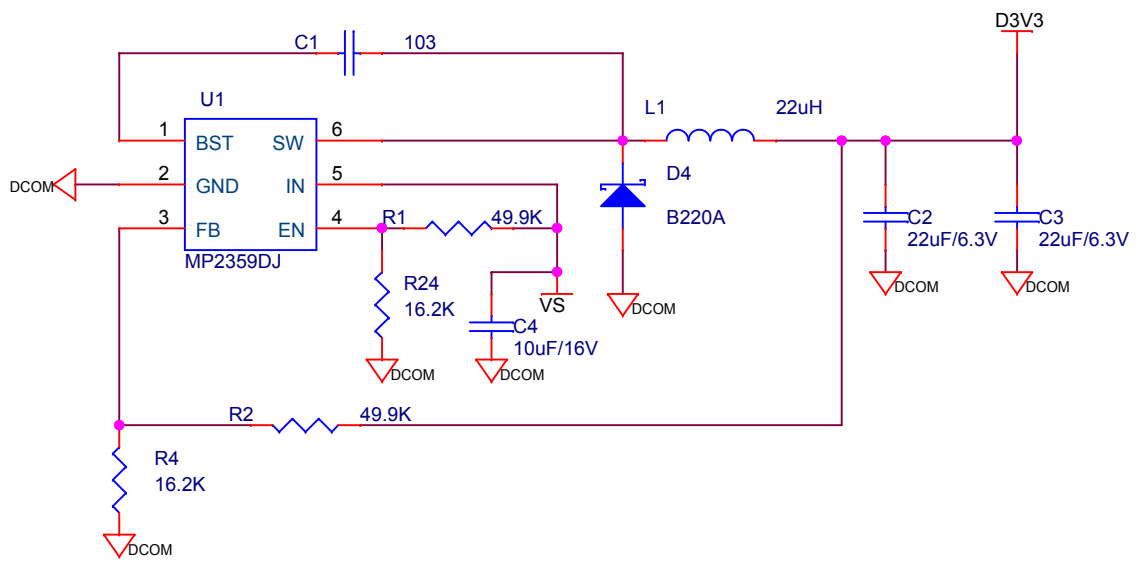
Engineer: -----

<http://i-board.taobao.com>

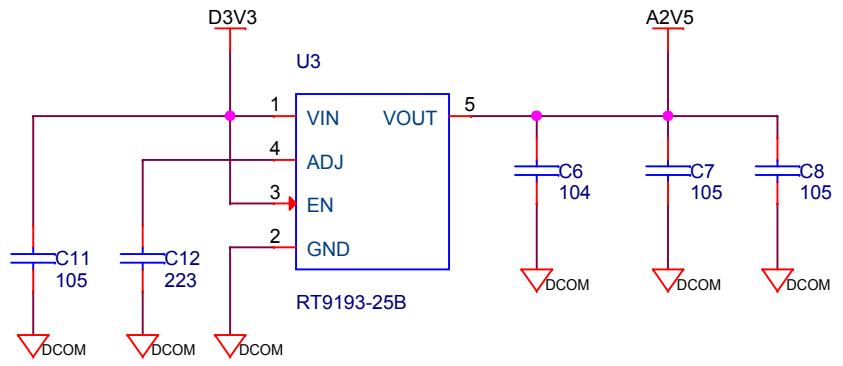
Title		ICORE2	
Size	Document Number	Rev	
B	0_Title	0.0.0	
Date:	Saturday, June 08, 2013	Sheet	1 of 6



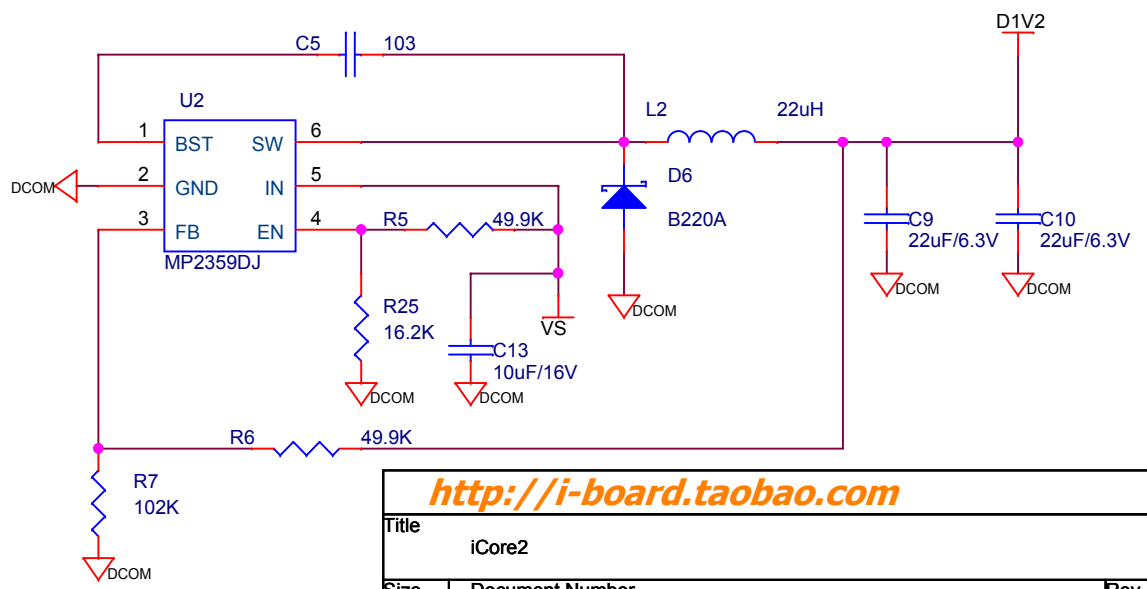
3.3V (BUCK)



2.5V LDO

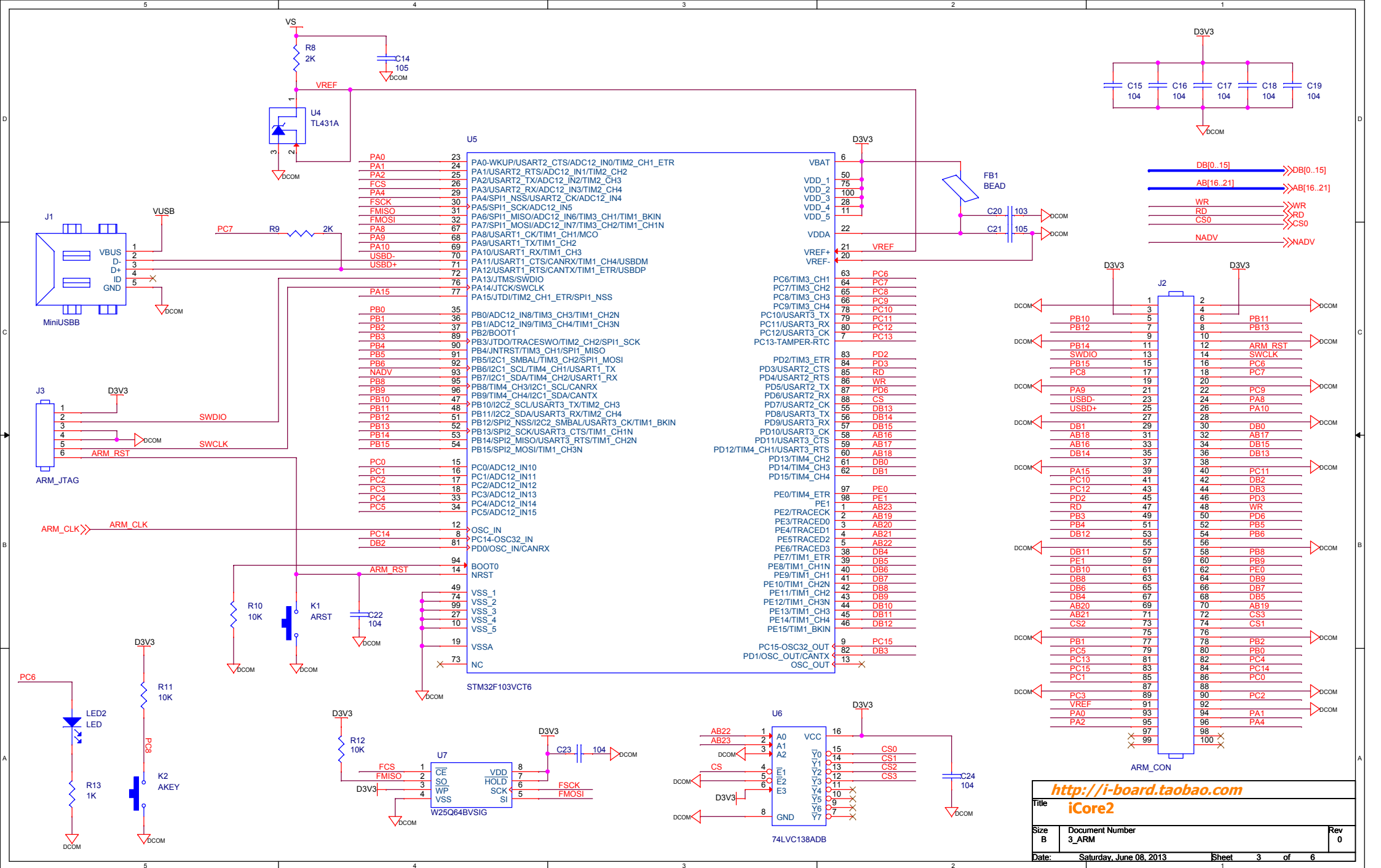


1.2V (BUCK)

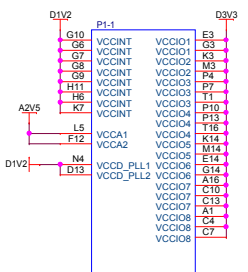


<http://i-board.taobao.com>

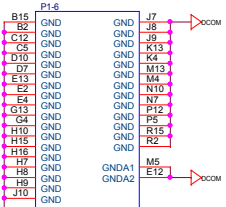
Title		
iCore2		
Size	Document Number	Rev
A	1_Power	0
Date:	Saturday, June 08, 2013	Sheet 2 of 6



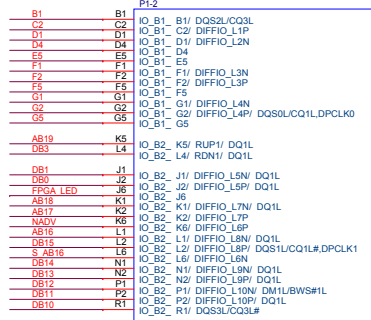
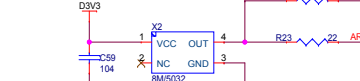
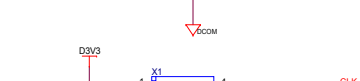
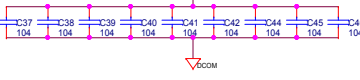
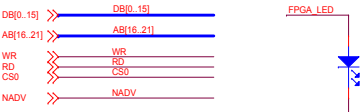
http://i-board.taobao.com		
Title		
iCore2		
Size	Document Number	Rev
B	3_ARM	0
Date:	Saturday, June 08, 2013	Sheet 3 of 6



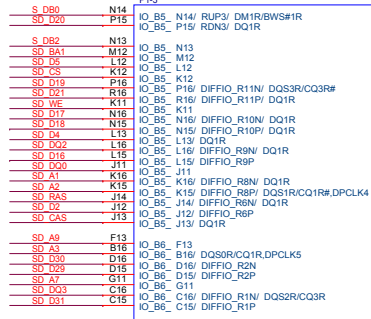
EP4CE10F256
VERSION : 1.0
PAGE : 1 of 6
DATE : March 2010



EP4CE10F256
VERSION : 1.0
PAGE : 6 of 6
DATE : March 2010

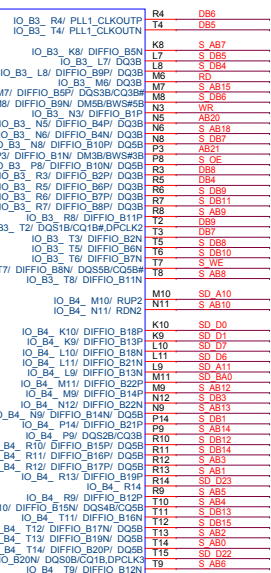
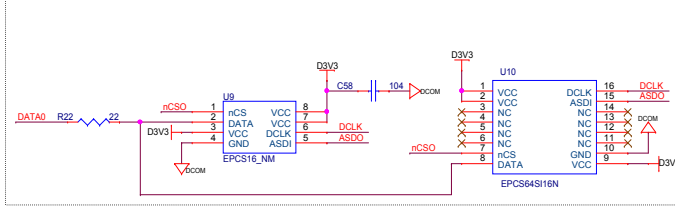


EP4CE10F256
VERSION : 1.0
PAGE : 2 of 6
DATE : March 2010

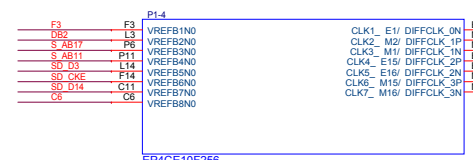


EP4CE10F256
VERSION : 1.0
PAGE : 3 of 6
DATE : March 2010

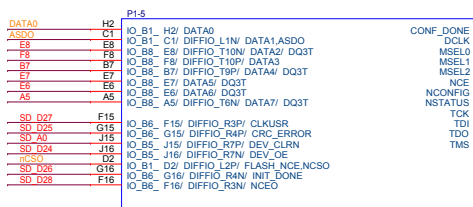
AS CONFIG



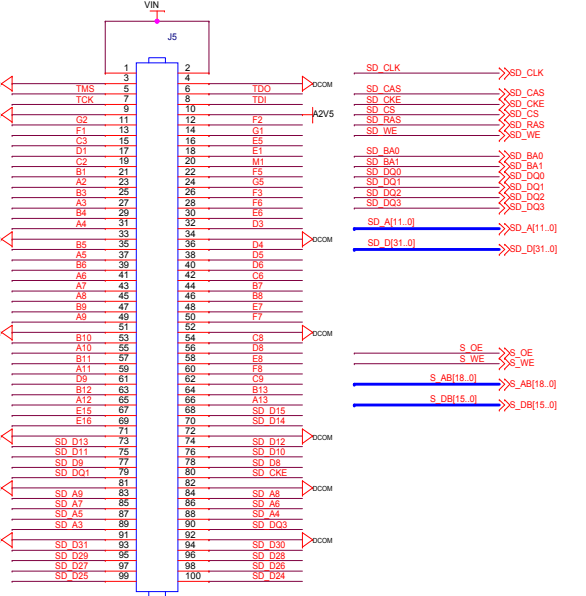
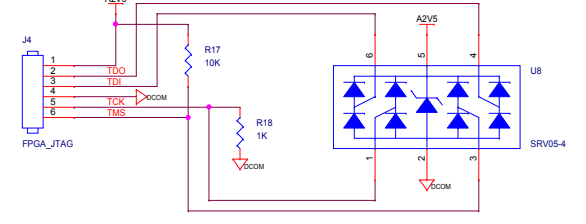
EP4CE10F256
VERSION : 1.0
PAGE : 5 of 6
DATE : March 2010

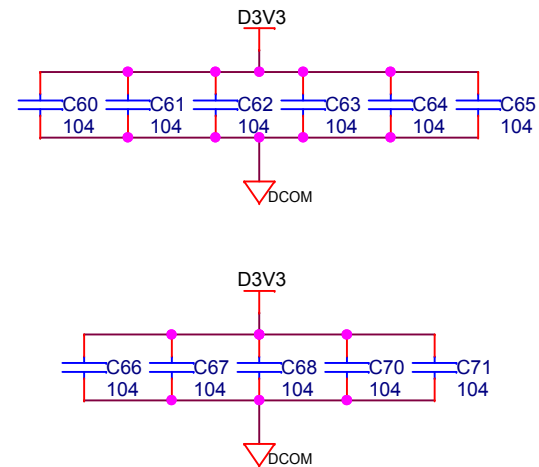
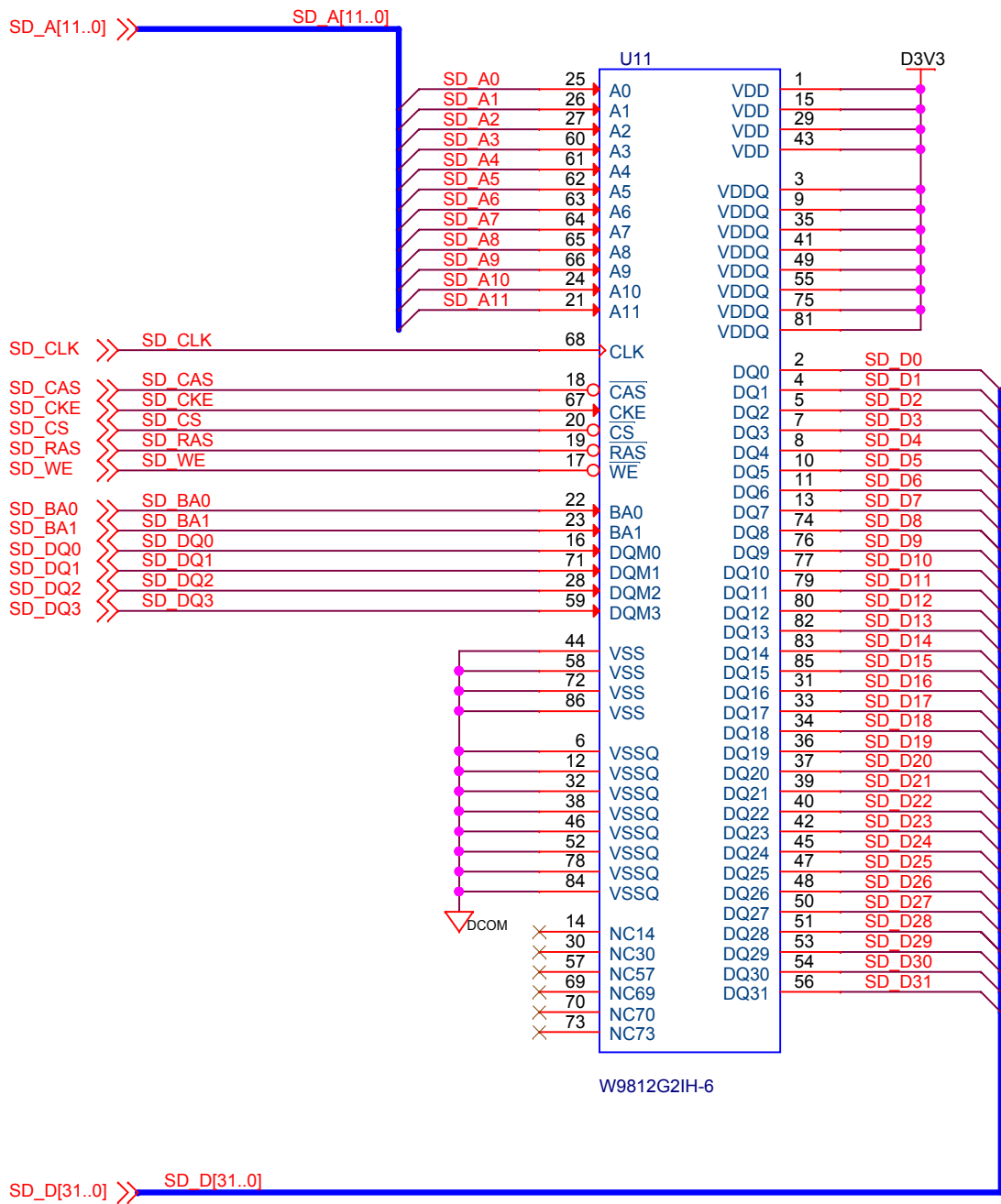


EP4CE10F256
VERSION : 1.0
PAGE : 4 of 6
DATE : March 2010



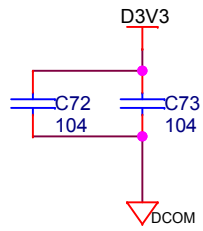
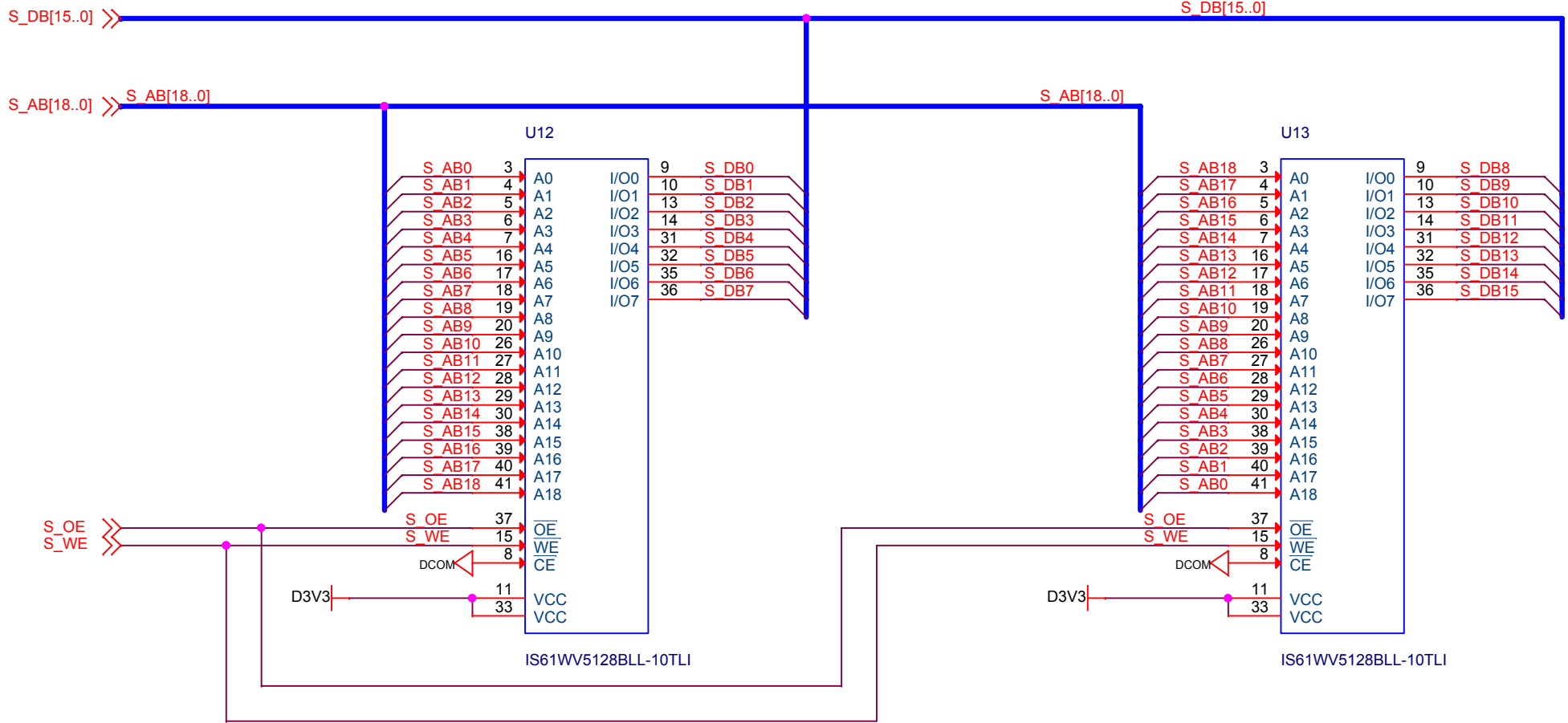
EP4CE10F256
VERSION : 1.0
PAGE : 5 of 6
DATE : March 2010





<http://i-board.taobao.com>

Title		
iCore2		
Size	Document Number	Rev
A	4_SDRAM	0
Date:	Saturday, June 08, 2013	Sheet 5 of 6



<http://i-board.taobao.com>

Title		
iCore2		
Size	Document Number	Rev
A	5_SRAM	0
Date:	Saturday, June 08, 2013	Sheet 6 of 6