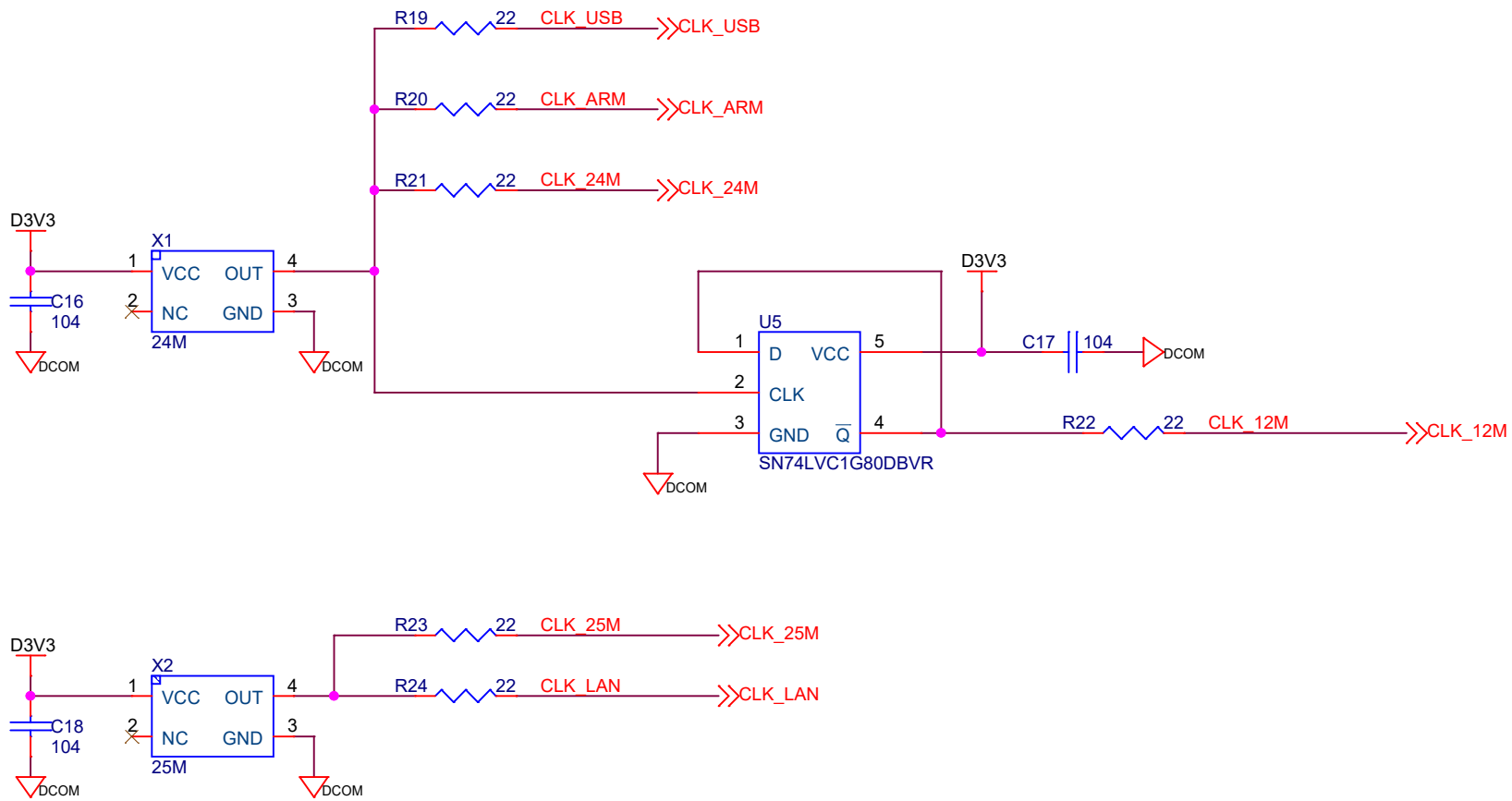


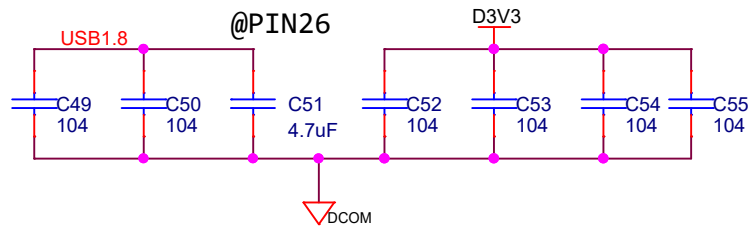
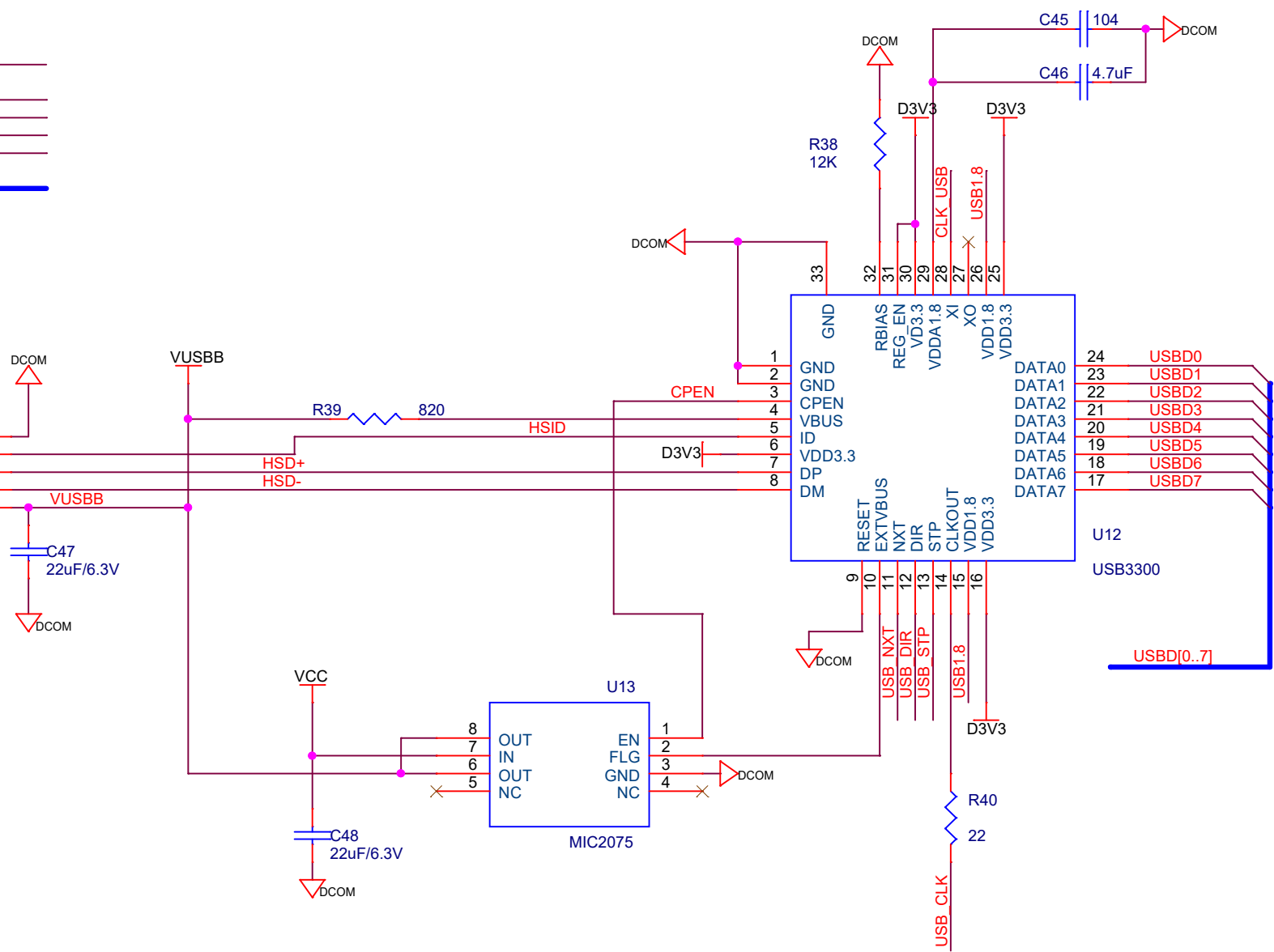
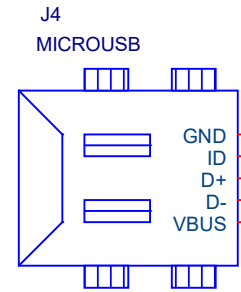
Title		
<Title>		
Size	Document Number	Rev
B	<Doc>	0
Date:	Monday, June 12, 2017	Sheet 2 of 12



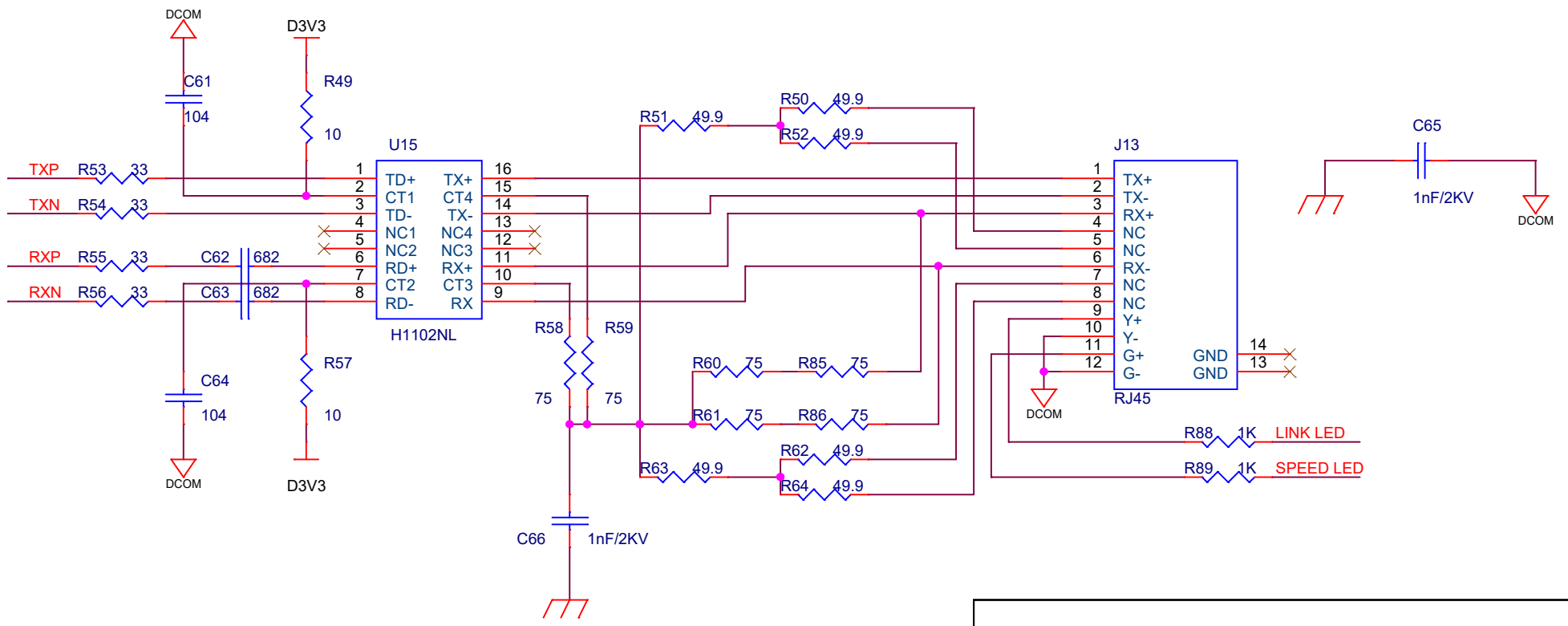
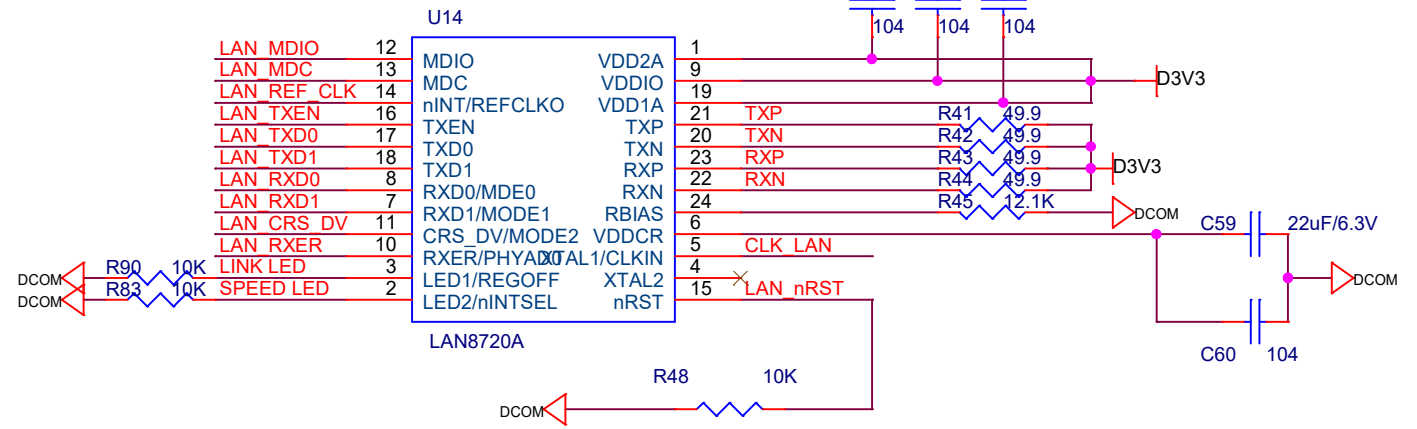
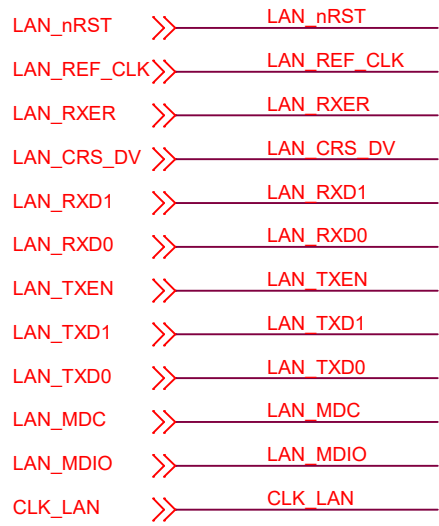
Title		
<Title>		
Size	Document Number	Rev
A	<Doc>	0
Date:	Monday, June 12, 2017	Sheet 3 of 12



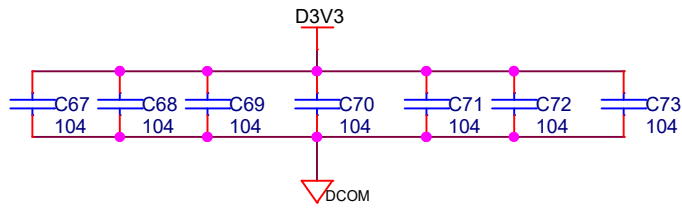
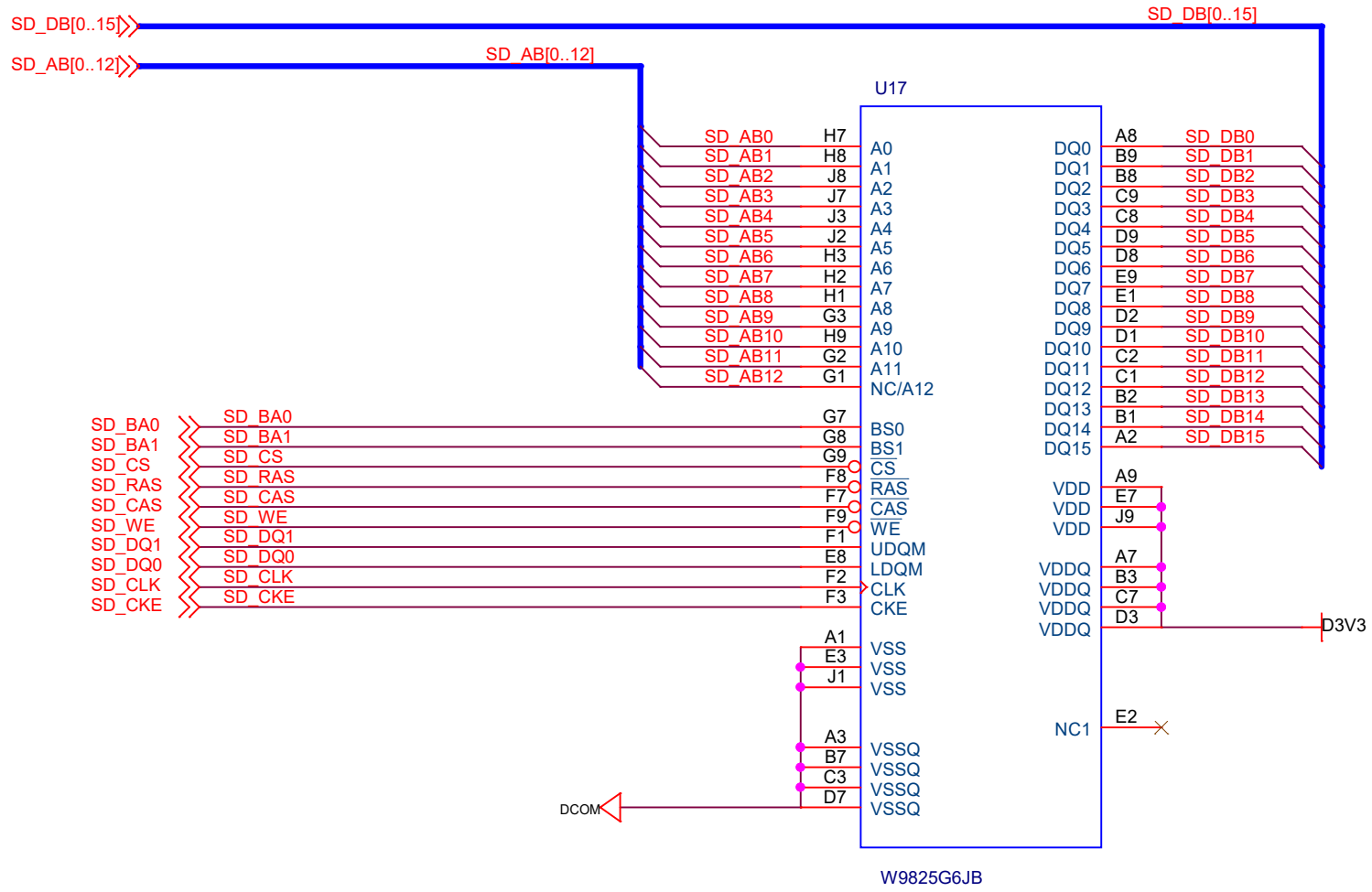
CLK\_USB >> CLK\_USB  
 USB\_NXT >> USB\_NXT  
 USB\_DIR >> USB\_DIR  
 USB\_STP >> USB\_STP  
 USB\_CLK >> USB\_CLK  
 USBD[0..7] >> USBD[0..7]



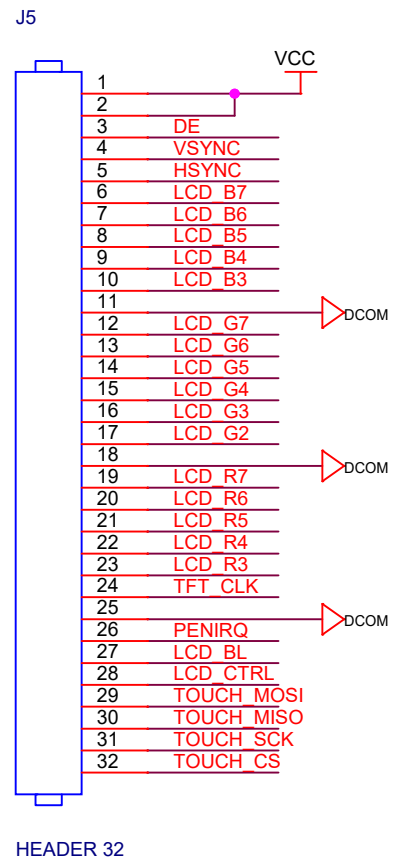
Title <Title>		
Size A	Document Number <Doc>	Rev <RevCode>
Date:	Monday, June 12, 2017	Sheet 5 of 12



Title		
<Title>		
Size	Document Number	Rev
A	<Doc>	<RevCode>
Date:	Monday, June 12, 2017	Sheet 6 of 12

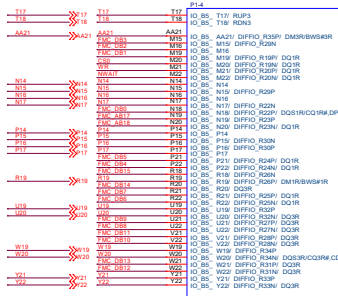


Title		
iCore3		
Size	Document Number	Rev
A	4_SDRAM	0
Date:	Monday, June 12, 2017	Sheet 7 of 12



Title		
<Title>		
Size	Document Number	Rev
A	<Doc>	<RevCode>
Date:	Monday, June 12, 2017	Sheet 8 of 12

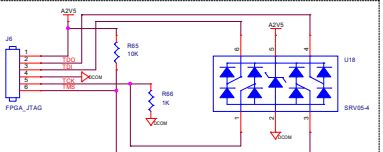




ERAC12P484  
VERSION: 1.0  
PAGE: 4 of 8  
DATE: March 2010



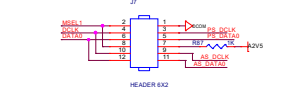
FPGA JTAG



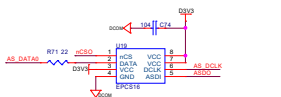
PS Signal



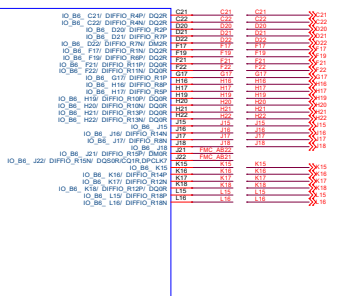
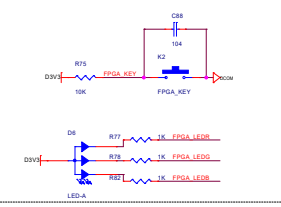
Config Select



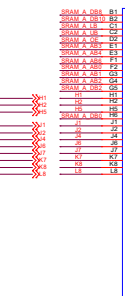
AS Config



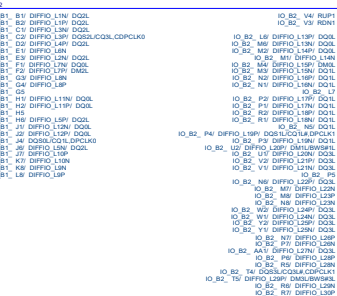
KEY&LED



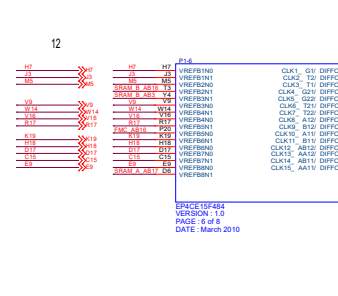
ERAC12P484  
VERSION: 1.0  
PAGE: 4 of 8  
DATE: March 2010



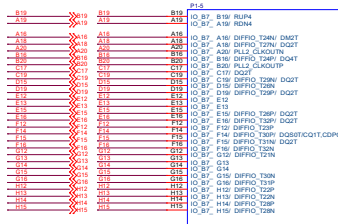
ERAC12P484  
VERSION: 1.0  
PAGE: 2 of 8  
DATE: March 2010



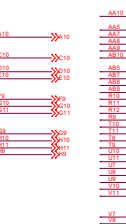
ERAC12P484  
VERSION: 1.0  
PAGE: 2 of 8  
DATE: March 2010



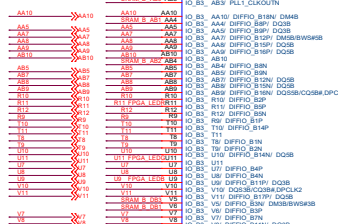
ERAC12P484  
VERSION: 1.0  
PAGE: 6 of 8  
DATE: March 2010



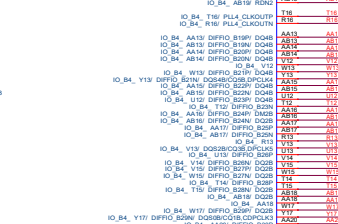
ERAC12P484  
VERSION: 1.0  
PAGE: 5 of 8  
DATE: March 2010



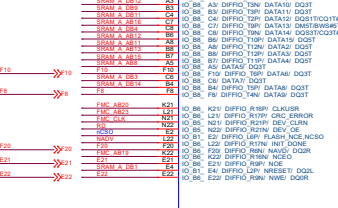
ERAC12P484  
VERSION: 1.0  
PAGE: 2 of 8  
DATE: March 2010



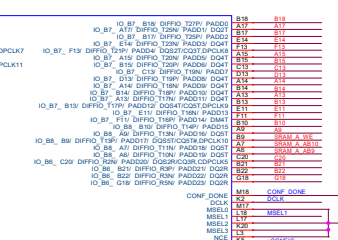
ERAC12P484  
VERSION: 1.0  
PAGE: 1 of 8  
DATE: March 2010



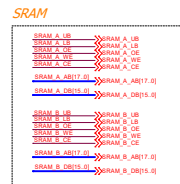
ERAC12P484  
VERSION: 1.0  
PAGE: 6 of 8  
DATE: March 2010



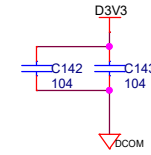
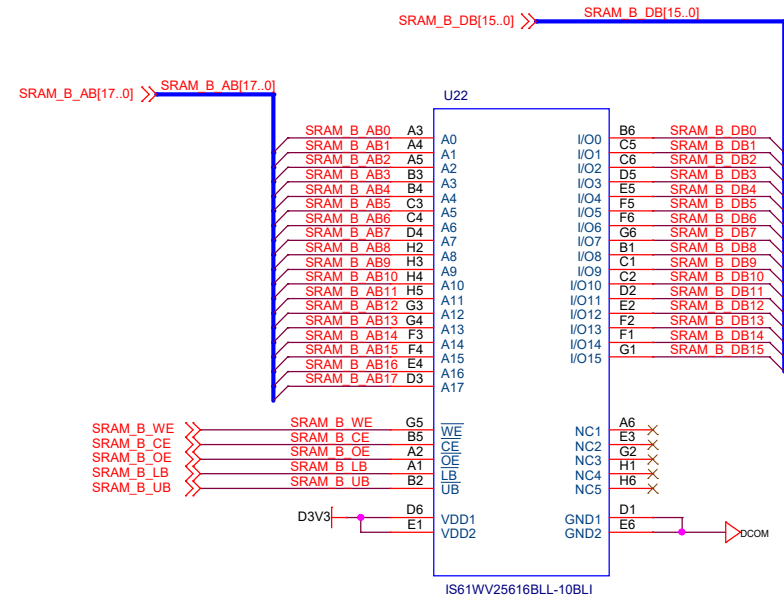
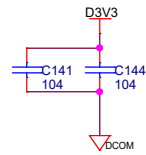
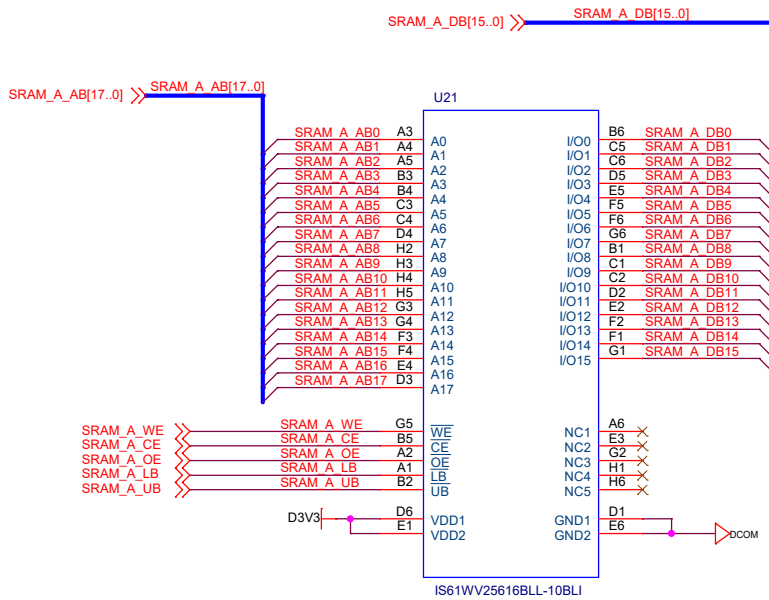
ERAC12P484  
VERSION: 1.0  
PAGE: 7 of 8  
DATE: March 2010



ERAC12P484  
VERSION: 1.0  
PAGE: 7 of 8  
DATE: March 2010

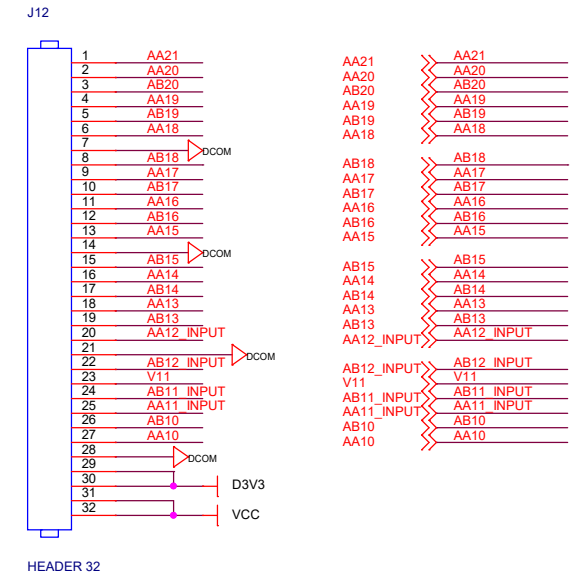
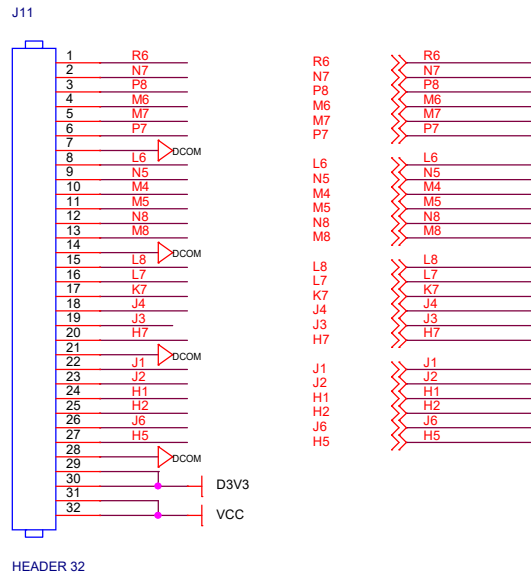
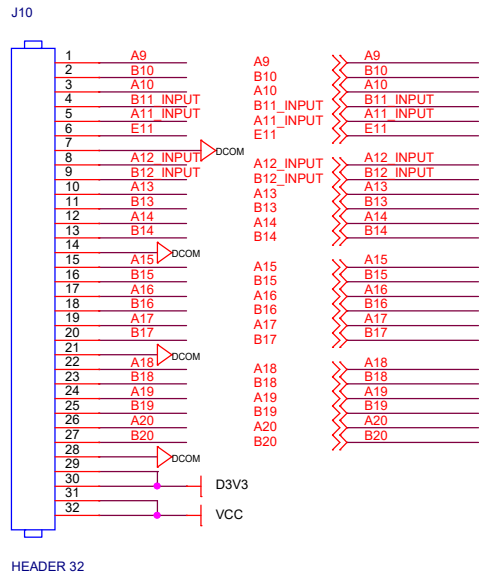


IO	<TMS>	
IO	<TDI>	
IO	<TDO>	
IO	<TCK>	
IO	<TAPEN>	
IO	<TRSTN>	
IO	<VDD1>	
IO	<VDD2>	
IO	<VDD3>	
IO	<VDD4>	
IO	<VDD5>	
IO	<VDD6>	
IO	<VDD7>	
IO	<VDD8>	
IO	<VDD9>	
IO	<VDD10>	
IO	<VDD11>	
IO	<VDD12>	
IO	<VDD13>	
IO	<VDD14>	
IO	<VDD15>	
IO	<VDD16>	
IO	<VDD17>	
IO	<VDD18>	
IO	<VDD19>	
IO	<VDD20>	
IO	<VDD21>	
IO	<VDD22>	
IO	<VDD23>	
IO	<VDD24>	
IO	<VDD25>	
IO	<VDD26>	
IO	<VDD27>	
IO	<VDD28>	
IO	<VDD29>	
IO	<VDD30>	
IO	<VDD31>	
IO	<VDD32>	
IO	<VDD33>	
IO	<VDD34>	
IO	<VDD35>	
IO	<VDD36>	
IO	<VDD37>	
IO	<VDD38>	
IO	<VDD39>	
IO	<VDD40>	
IO	<VDD41>	
IO	<VDD42>	
IO	<VDD43>	
IO	<VDD44>	
IO	<VDD45>	
IO	<VDD46>	
IO	<VDD47>	
IO	<VDD48>	
IO	<VDD49>	
IO	<VDD50>	
IO	<VDD51>	
IO	<VDD52>	
IO	<VDD53>	
IO	<VDD54>	
IO	<VDD55>	
IO	<VDD56>	
IO	<VDD57>	
IO	<VDD58>	
IO	<VDD59>	
IO	<VDD60>	
IO	<VDD61>	
IO	<VDD62>	
IO	<VDD63>	
IO	<VDD64>	
IO	<VDD65>	
IO	<VDD66>	
IO	<VDD67>	
IO	<VDD68>	
IO	<VDD69>	
IO	<VDD70>	
IO	<VDD71>	
IO	<VDD72>	
IO	<VDD73>	
IO	<VDD74>	
IO	<VDD75>	
IO	<VDD76>	
IO	<VDD77>	
IO	<VDD78>	
IO	<VDD79>	
IO	<VDD80>	
IO	<VDD81>	
IO	<VDD82>	
IO	<VDD83>	
IO	<VDD84>	
IO	<VDD85>	
IO	<VDD86>	
IO	<VDD87>	
IO	<VDD88>	
IO	<VDD89>	
IO	<VDD90>	
IO	<VDD91>	
IO	<VDD92>	
IO	<VDD93>	
IO	<VDD94>	
IO	<VDD95>	
IO	<VDD96>	
IO	<VDD97>	
IO	<VDD98>	
IO	<VDD99>	
IO	<VDD100>	



Title		
<Title>		
Size	Document Number	Rev
B	<Doc>	<RevCode>
Date:	Monday, June 12, 2017	Sheet 10 of 12





Title		
<Title>		
Size	Document Number	Rev
B	<Doc>	<RevCode>
Date:	Monday, June 12, 2017	Sheet 12 of 12