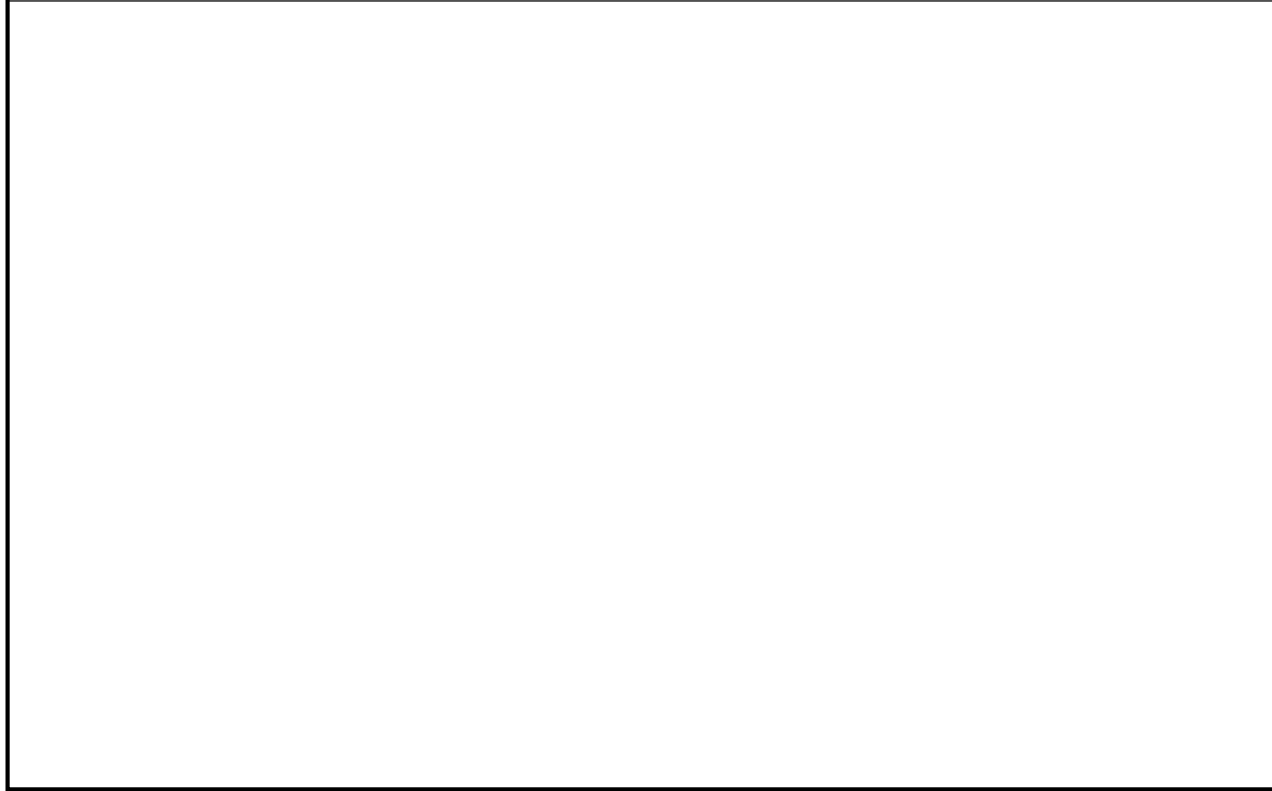


Block Diagram



NOTES:

Empty area for notes.

REV	DATE	PAGES	DESCRIPTION
0.0.0	09/04/2006	ALL	Created

PAGES	DESCRIPTION
0	Title, Note, Block Diagram, Revision History
1	-----
2	-----
3	-----
4	-----
5	-----
6	-----
7	-----
8	-----
9	-----
A	-----
B	-----
C	-----
D	-----
E	-----
F	-----
10	-----
11	-----
12	-----
13	-----

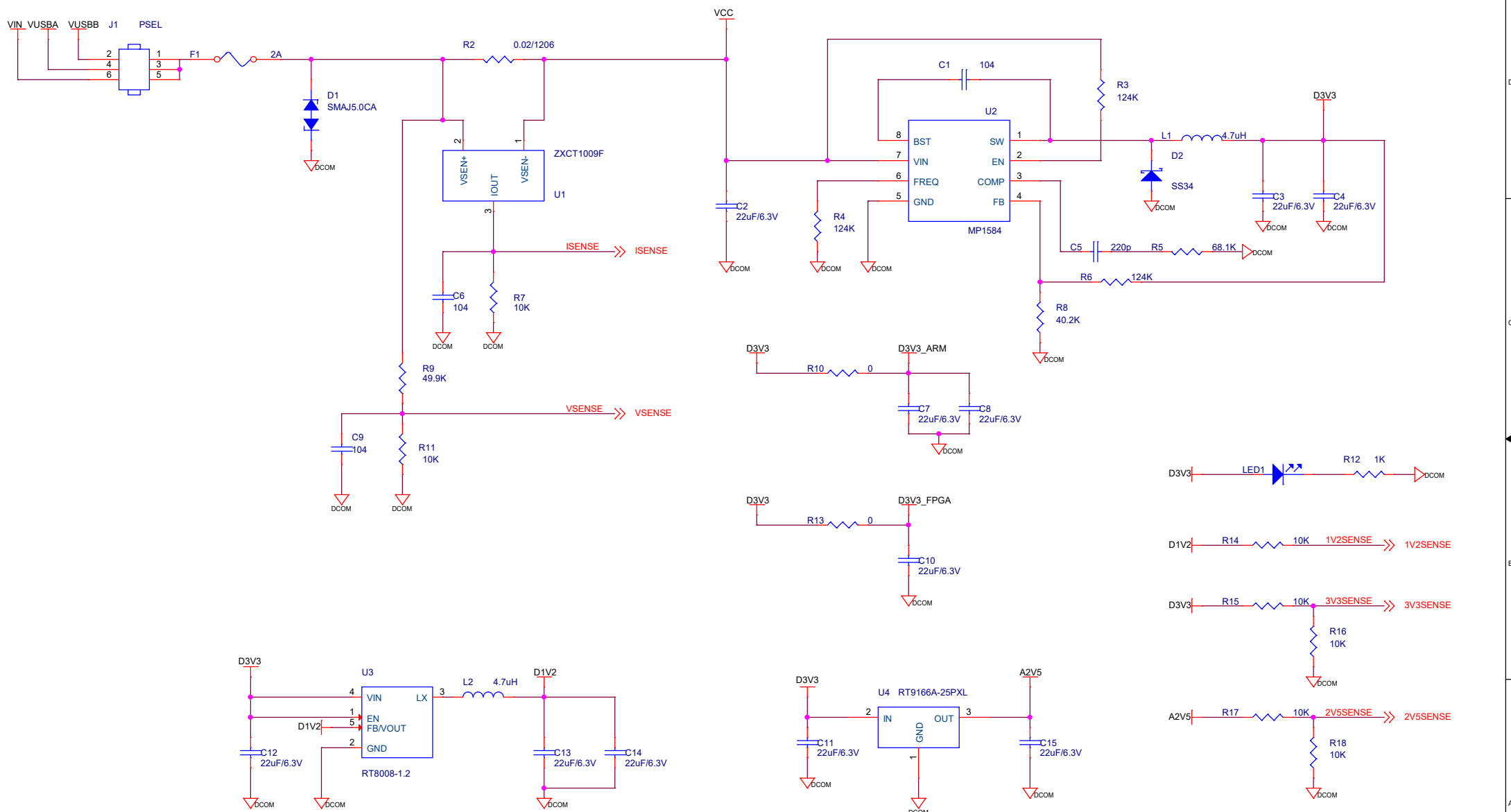
Engineer: -----

Engineer: -----

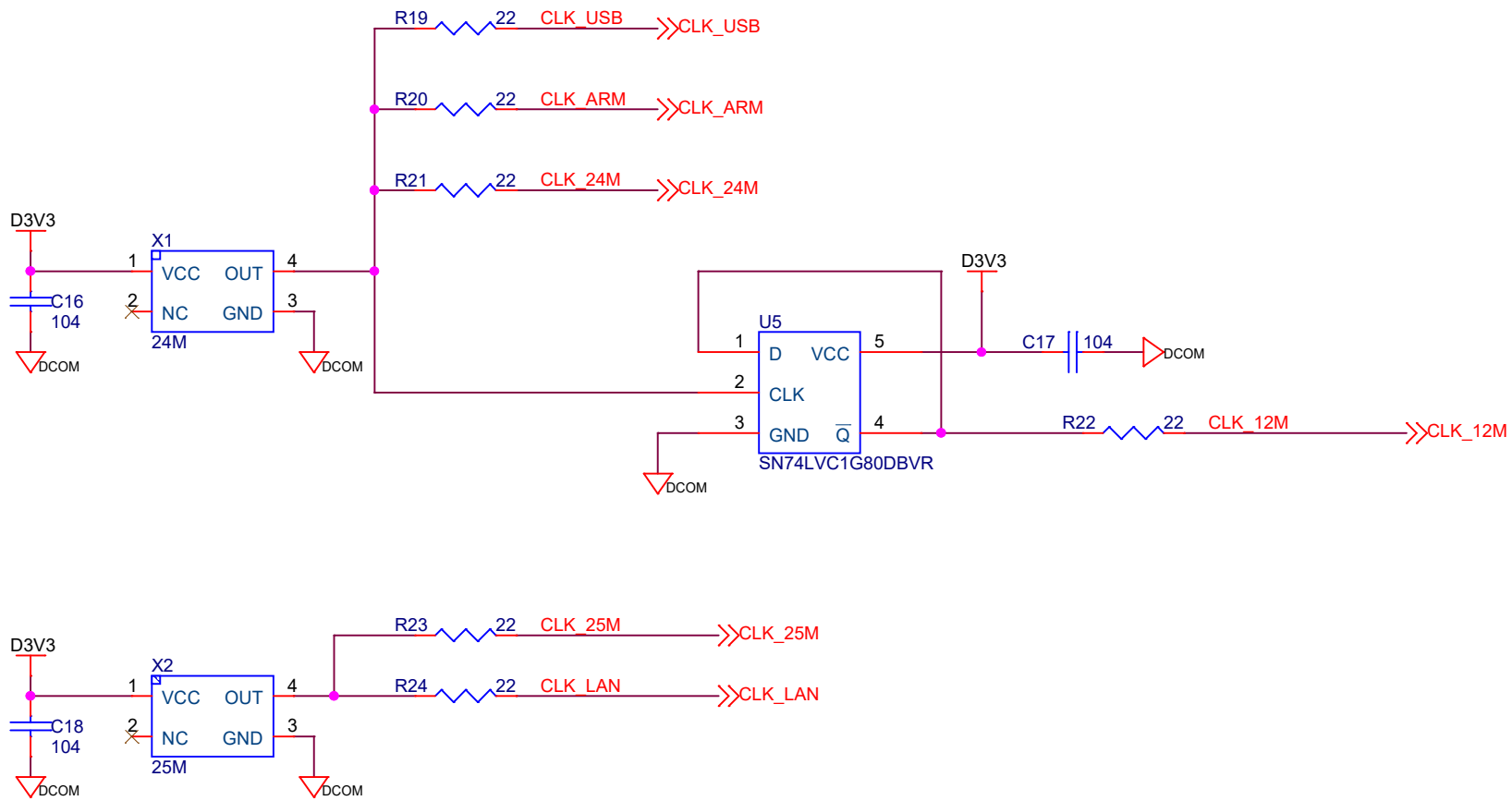
GINGKO
 Title
iCore4

Size	Document Number	Rev
B	0_Title	0.0.0

Date: Monday, June 12, 2017 Sheet 1 of 12

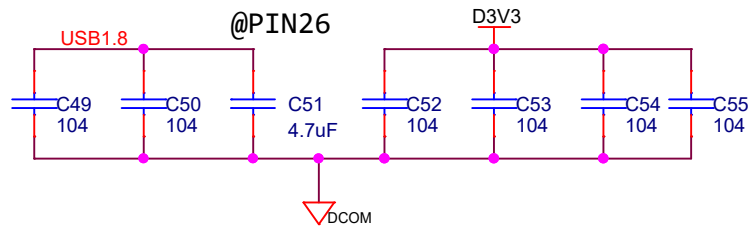
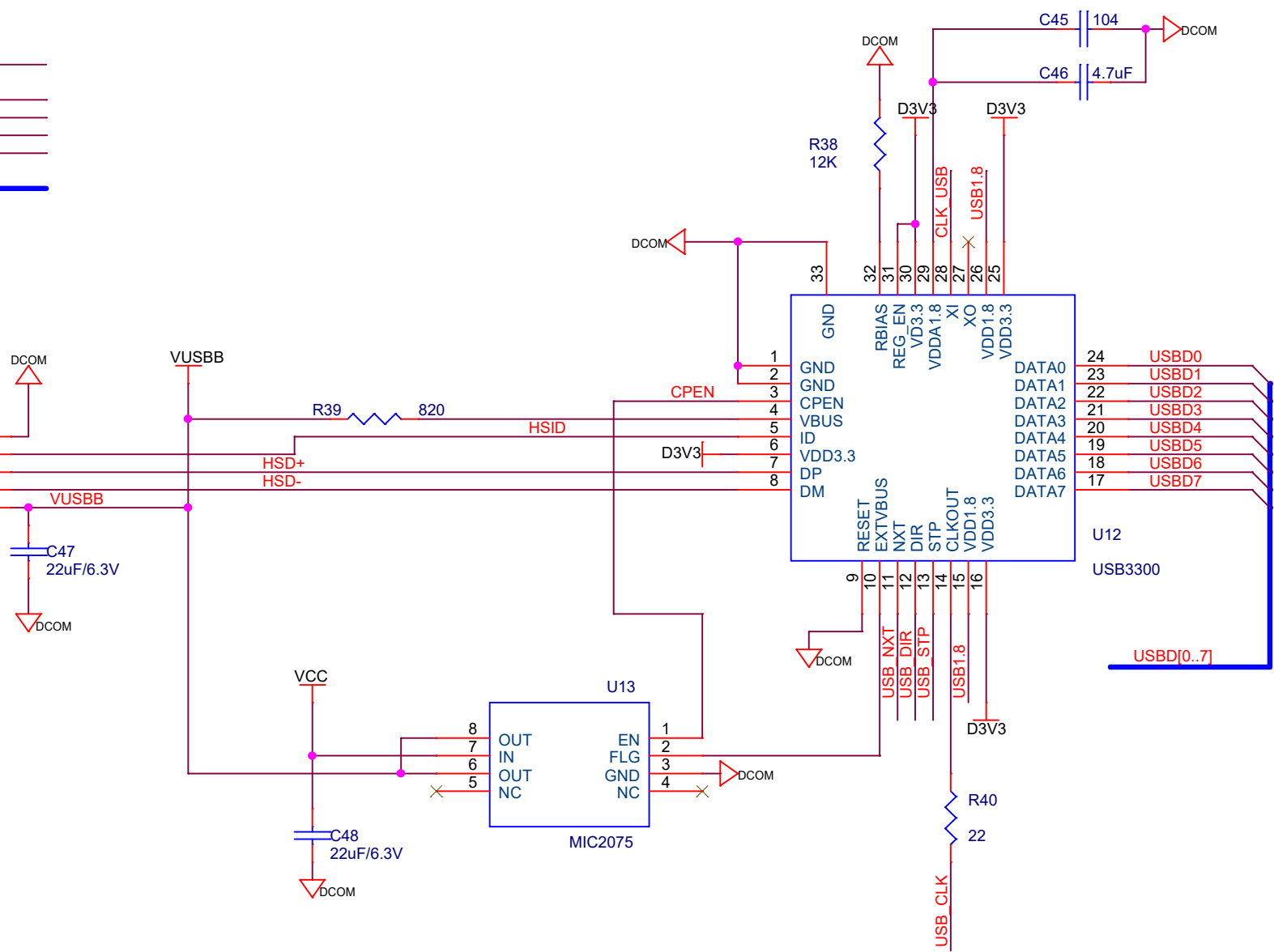
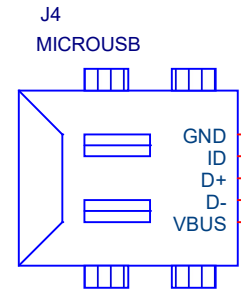


Title		
<Title>		
Size	Document Number	Rev
B	<Doc>	0
Date:	Monday, June 12, 2017	Sheet 2 of 12

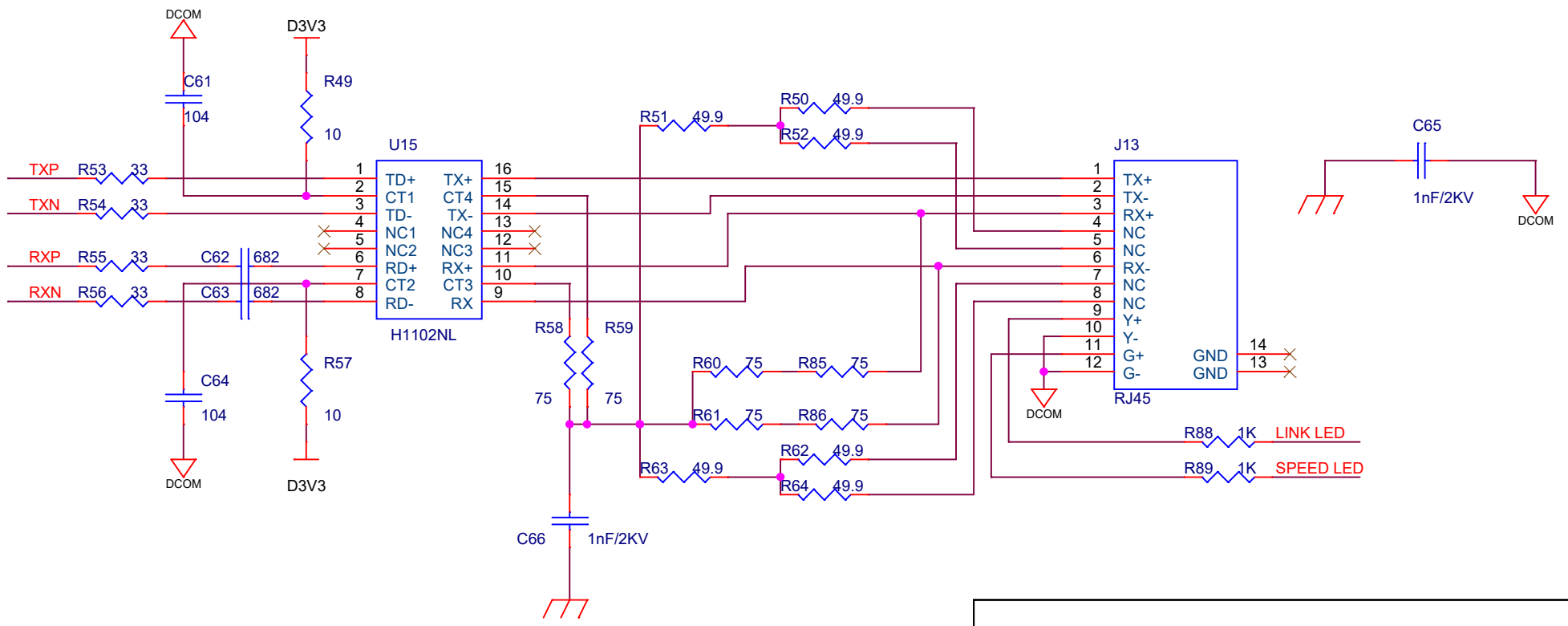
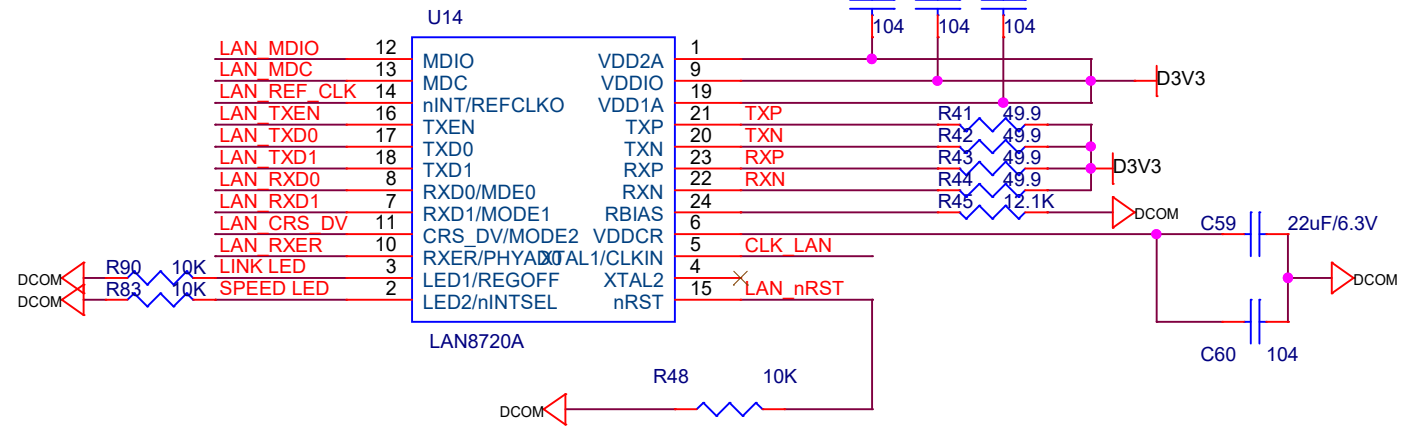
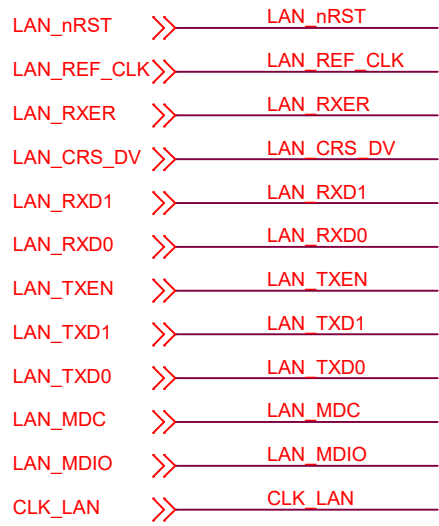


Title		
<Title>		
Size	Document Number	Rev
A	<Doc>	0
Date:	Monday, June 12, 2017	Sheet 3 of 12

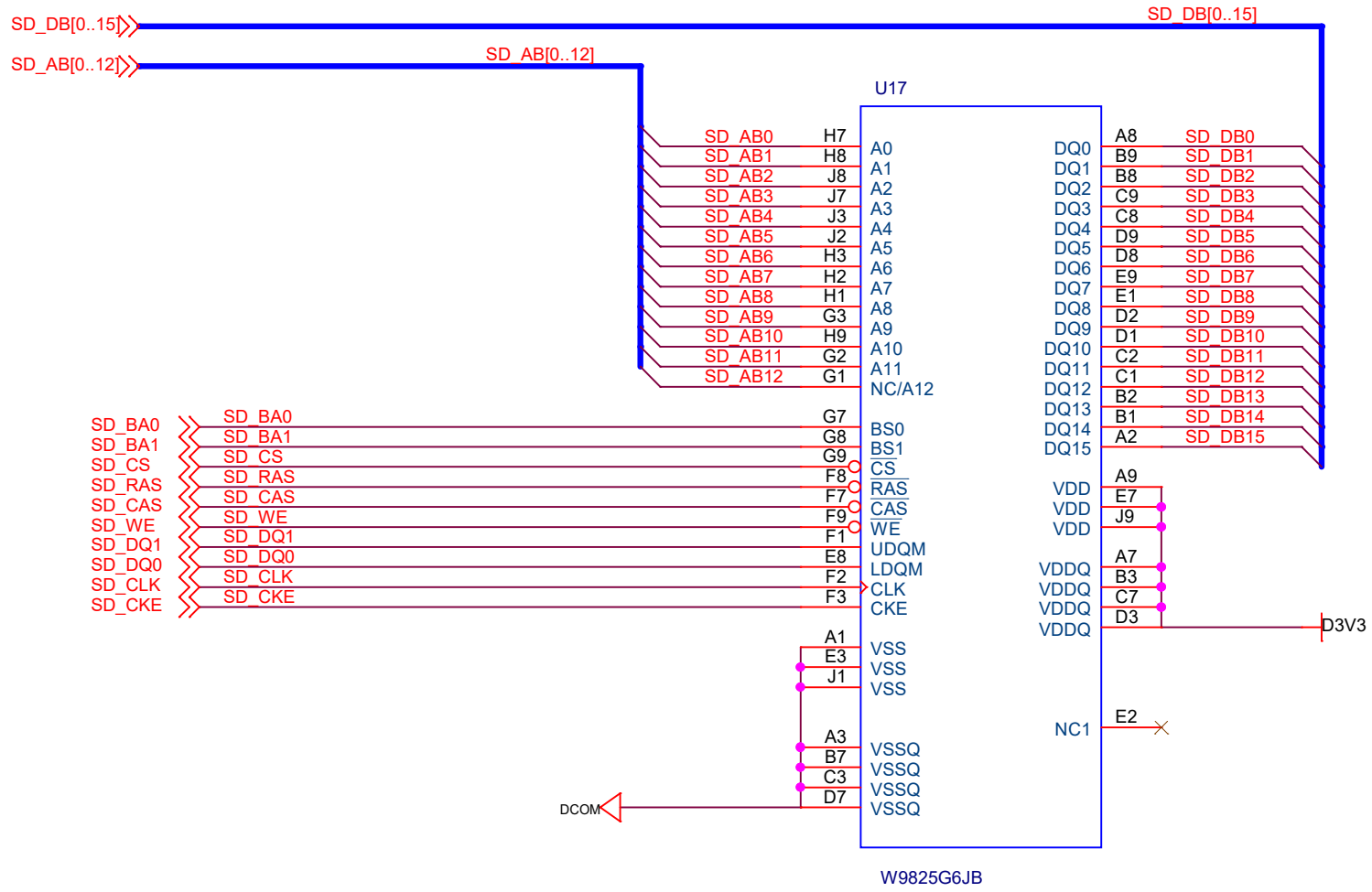
CLK_USB >> CLK_USB
 USB_NXT >> USB_NXT
 USB_DIR >> USB_DIR
 USB_STP >> USB_STP
 USB_CLK >> USB_CLK
 USBD[0..7] >> USBD[0..7]



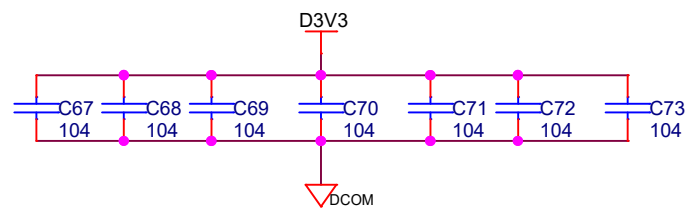
Title <Title>		
Size A	Document Number <Doc>	Rev <RevCode>
Date:	Monday, June 12, 2017	Sheet 5 of 12



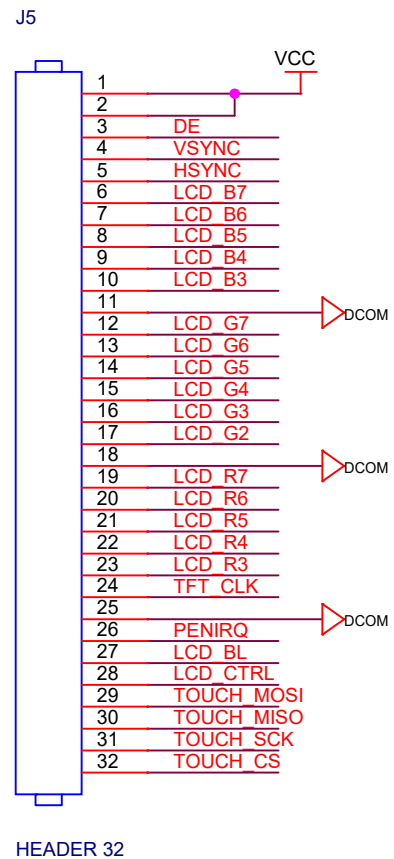
Title		
<Title>		
Size	Document Number	Rev
A	<Doc>	<RevCode>
Date:	Monday, June 12, 2017	Sheet 6 of 12



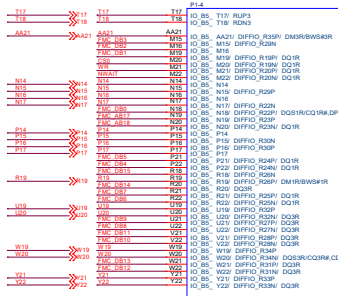
W9825G6JB



Title		
iCore3		
Size	Document Number	Rev
A	4_SDRAM	0
Date:	Monday, June 12, 2017	Sheet 7 of 12



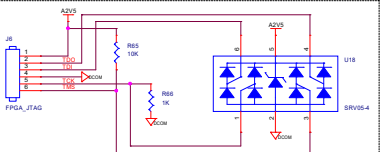
Title		
<Title>		
Size	Document Number	Rev
A	<Doc>	<RevCode>
Date:	Monday, June 12, 2017	Sheet 8 of 12



ERACETSP484
VERSION: 1.0
PAGE: 4 of 8
DATE: March 2010



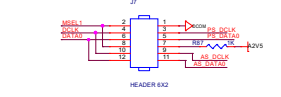
FPGA JTAG



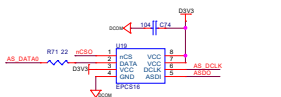
PS Signal



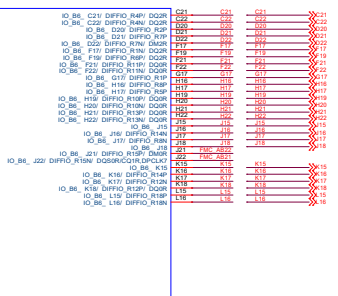
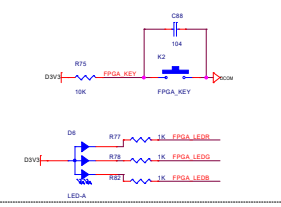
Config Select



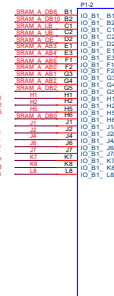
AS Config



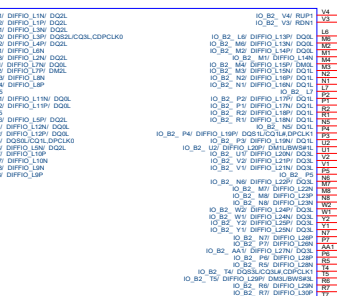
KEY&LED



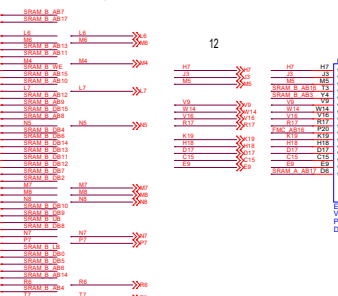
ERACETSP484
VERSION: 1.0
PAGE: 4 of 8
DATE: March 2010



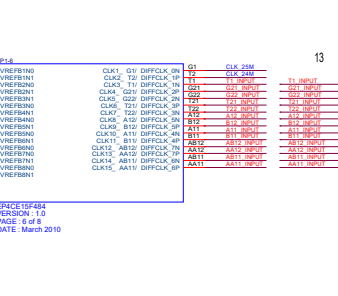
ERACETSP484
VERSION: 1.0
PAGE: 2 of 8
DATE: March 2010



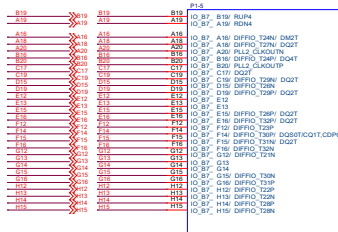
ERACETSP484
VERSION: 1.0
PAGE: 2 of 8
DATE: March 2010



ERACETSP484
VERSION: 1.0
PAGE: 6 of 8
DATE: March 2010



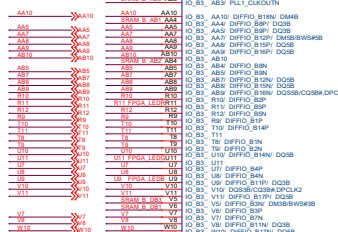
ERACETSP484
VERSION: 1.0
PAGE: 6 of 8
DATE: March 2010



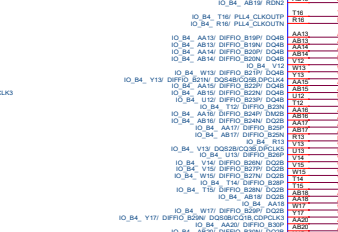
ERACETSP484
VERSION: 1.0
PAGE: 5 of 8
DATE: March 2010



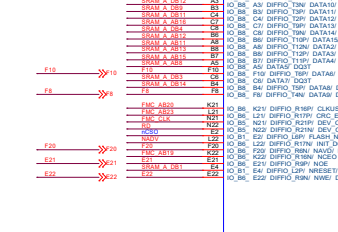
ERACETSP484
VERSION: 1.0
PAGE: 2 of 8
DATE: March 2010



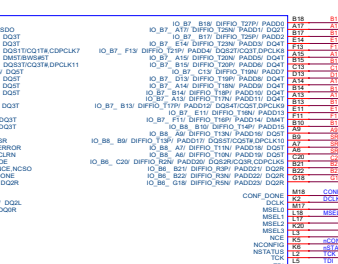
ERACETSP484
VERSION: 1.0
PAGE: 1 of 8
DATE: March 2010



ERACETSP484
VERSION: 1.0
PAGE: 6 of 8
DATE: March 2010

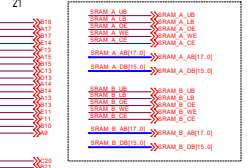


ERACETSP484
VERSION: 1.0
PAGE: 7 of 8
DATE: March 2010

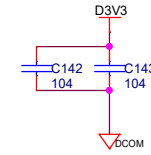
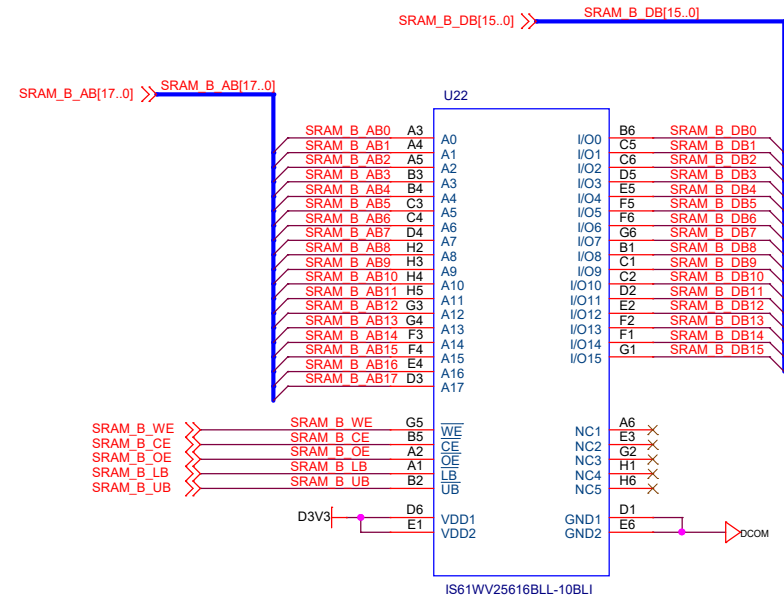
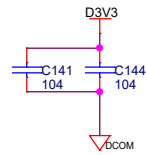
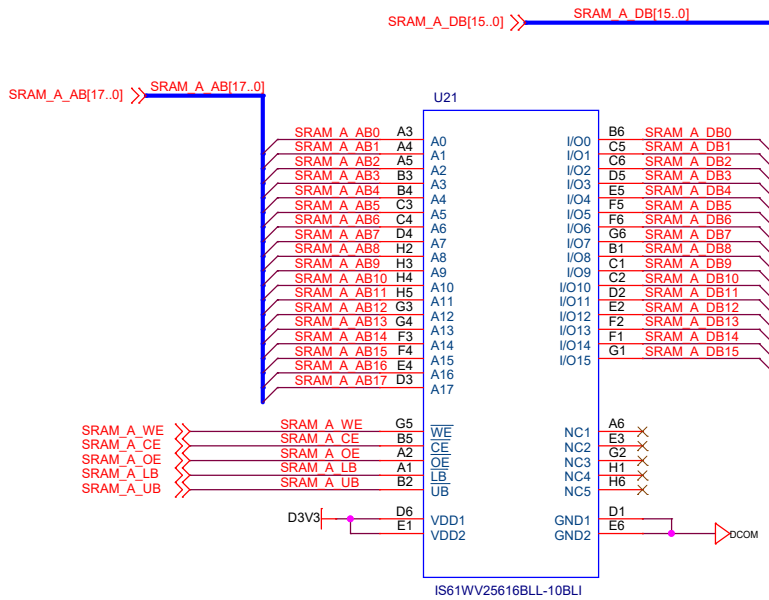


ERACETSP484
VERSION: 1.0
PAGE: 7 of 8
DATE: March 2010

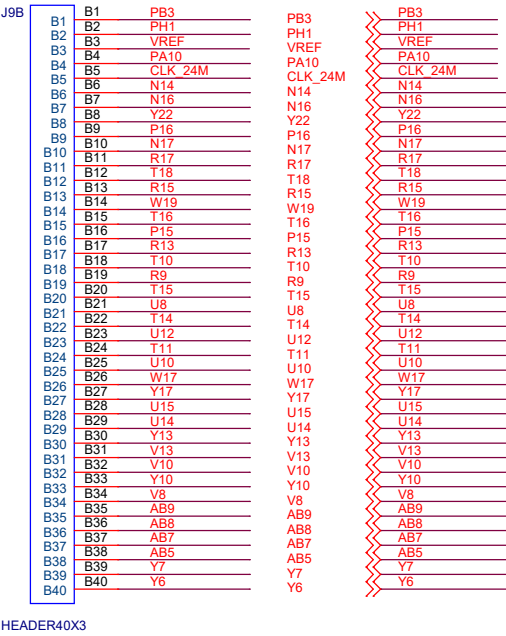
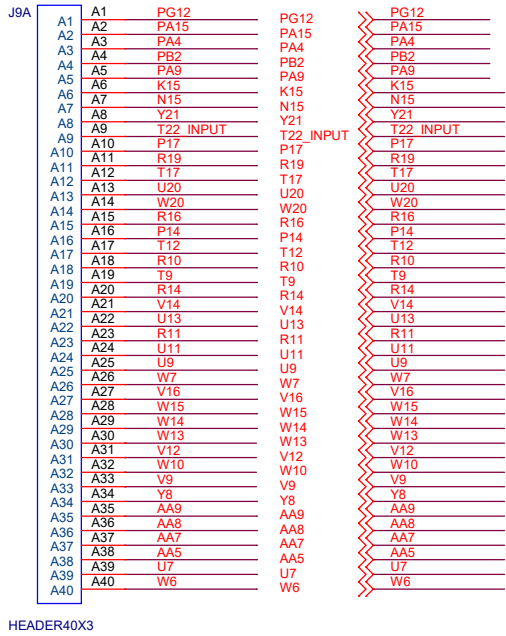
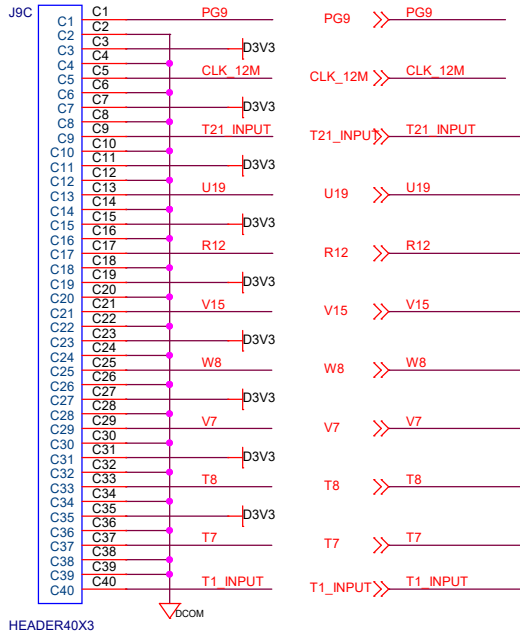
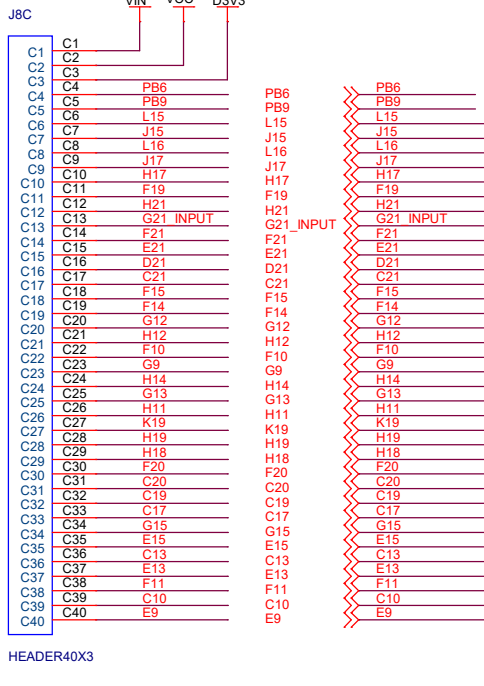
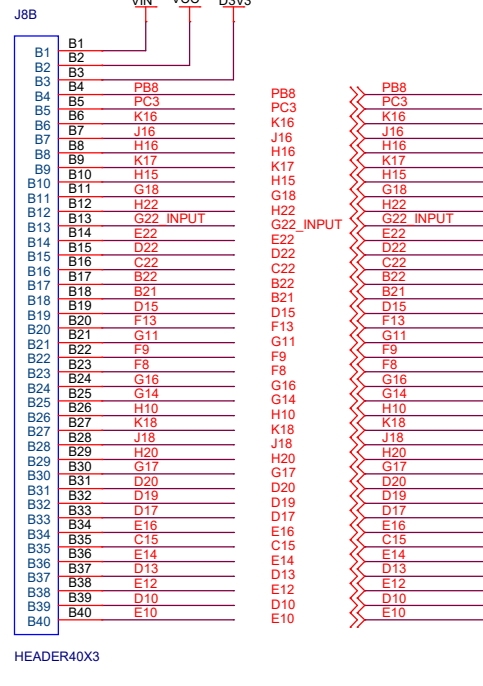
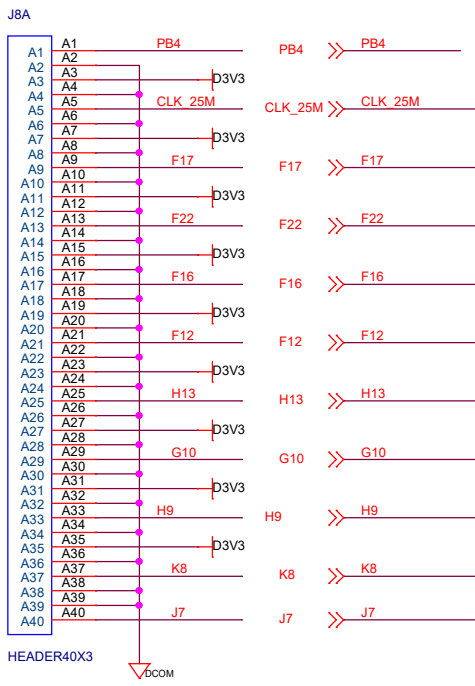
SRAM



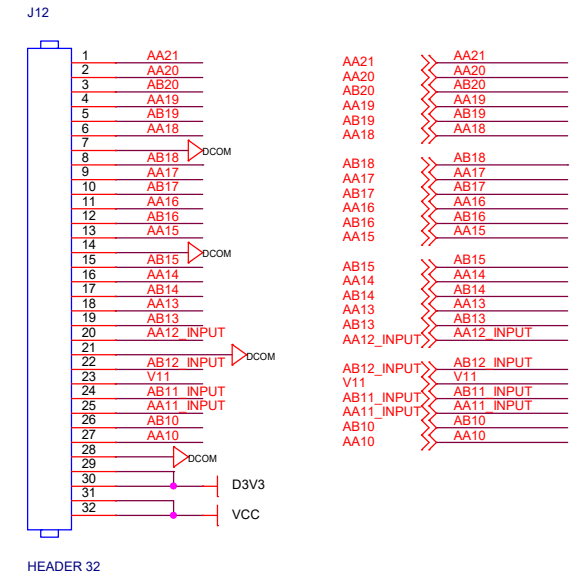
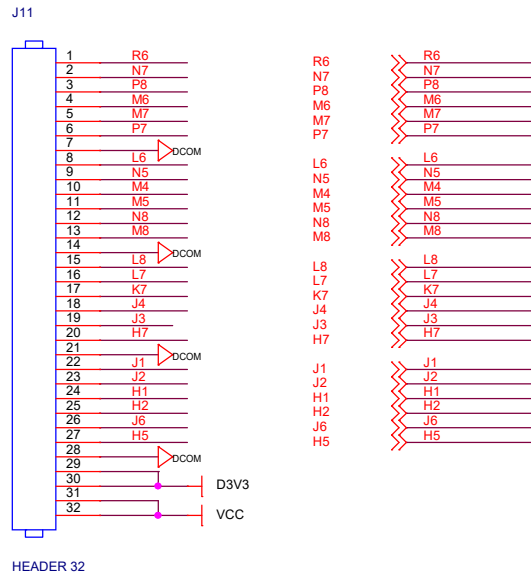
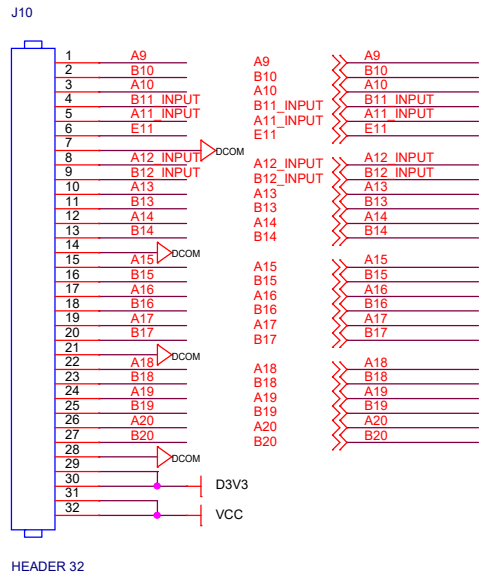
Pin	Pin	Pin	Pin
1	17	33	49
2	18	34	50
3	19	35	51
4	20	36	52
5	21	37	53
6	22	38	54
7	23	39	55
8	24	40	56
9	25	41	57
10	26	42	58
11	27	43	59
12	28	44	60
13	29	45	61
14	30	46	62
15	31	47	63
16	32	48	64



Title		
<Title>		
Size	Document Number	Rev
B	<Doc>	<RevCode>
Date:	Monday, June 12, 2017	Sheet 10 of 12



Title		<Title>
Size	Document Number	Rev
B	<Doc>	0
Date:	Monday, June 12, 2017	Sheet 11 of 12



Title		
<Title>		
Size	Document Number	Rev
B	<Doc>	<RevCode>
Date:	Monday, June 12, 2017	Sheet 12 of 12