

Block Diagram

GMT43 REVA GINGKO

<http://icore.taobao.com>

REV	DATE	PAGES	DESCRIPTION
0.0.0	09/04/2006	ALL	Created

PAGES	DESCRIPTION
0	Title, Note, Block Diagram, Revision
1	-----
2	-----
3	-----
4	-----
5	-----
6	-----
7	-----
8	-----
9	-----
A	-----
B	-----
C	-----
D	-----
E	-----
F	-----
10	-----
11	-----
12	-----
13	-----

版权声明及注释

本资料版权归 洛阳银杏科技有限公司所有。
2016/10/22

技术支持

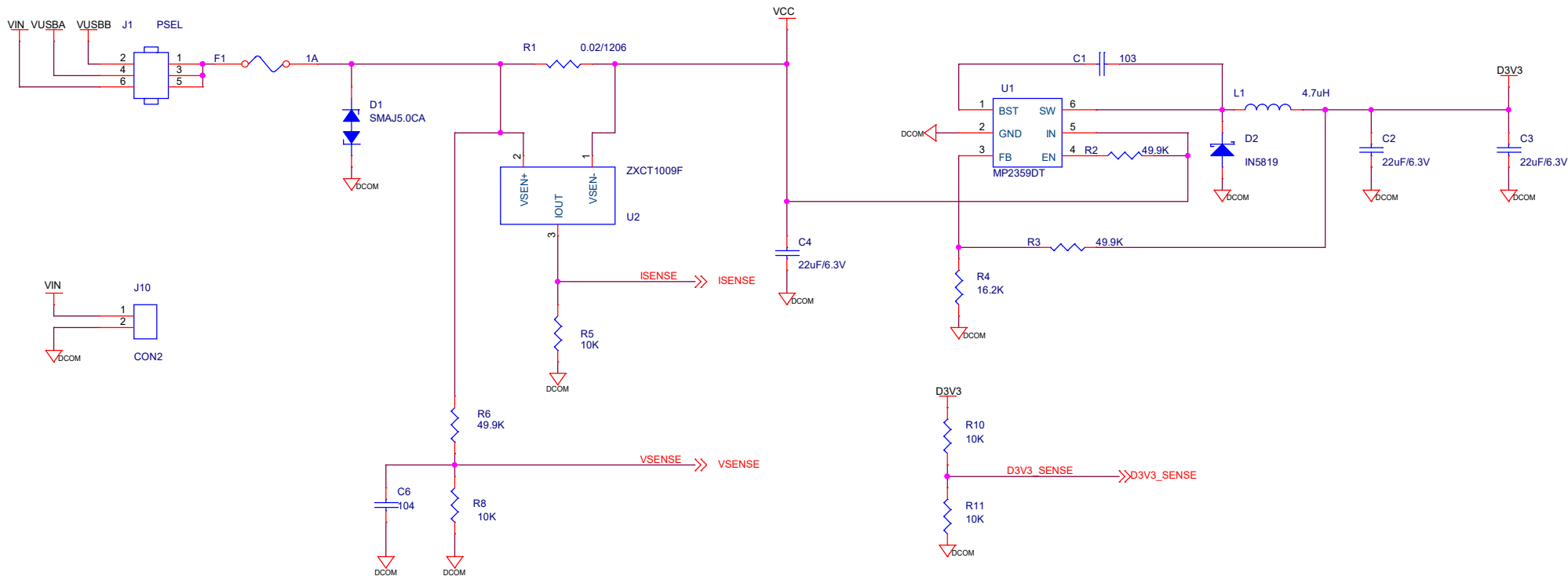
QQ: 15959622
 电话: 0379-69926675 15516367209
 博客: <http://XiaomaGee.cnblogs.com>
 论坛: <http://www.eeschool.org>
 淘宝: <http://icore.taobao.com>
 QQ 群:
【A】: 204255896 **【B】**: 165201798
【C】: 215053598 **【D】**: 215054675
【E】: 215055211 **【F】**: 78538605
【G】: 158560047



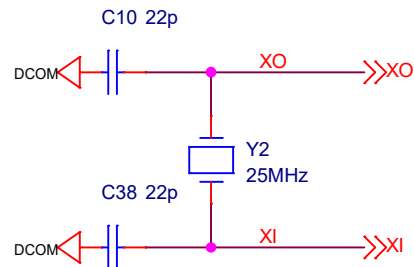
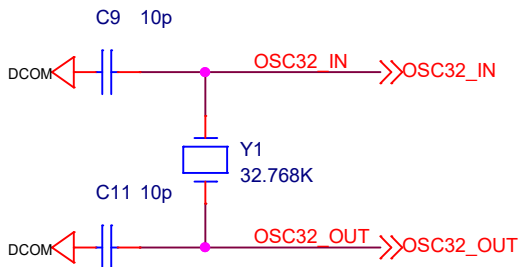
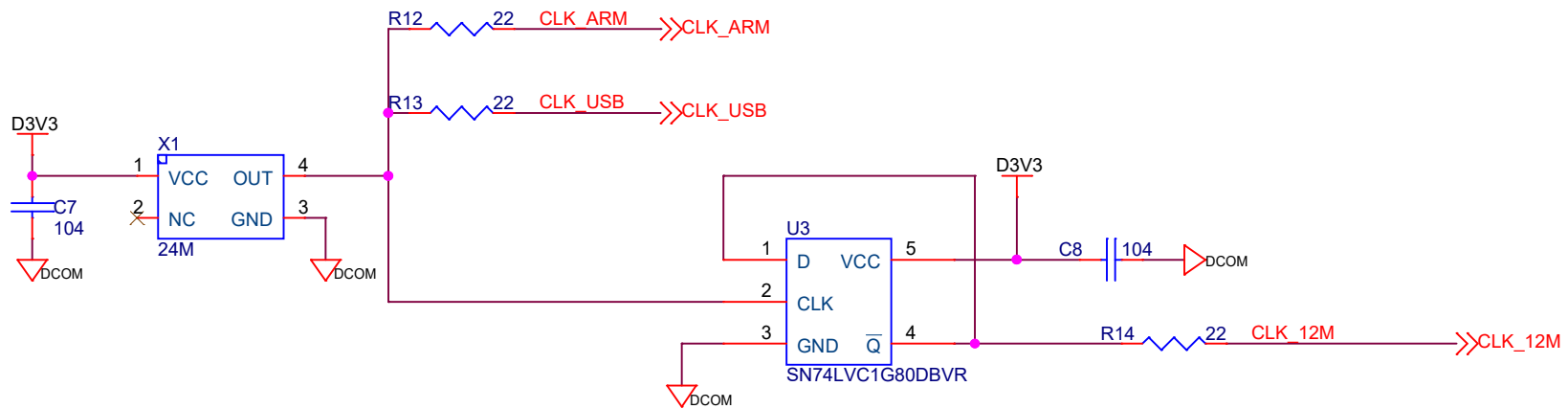
Engineer: ysloveivy

Engineer: -----

<http://icore.taobao.com>
 Title: GMT43
 Size B Document Number Rev
 0_Title 0.0.0
 Date: Tuesday, November 15, 2016 Sheet 1 of 10



GINGKO Technology Co.,Ltd.		
Title		
<Title>		
Size	Document Number	Rev
B	<Doc>	0
Date:	Monday, November 07, 2016	Sheet 2 of 10



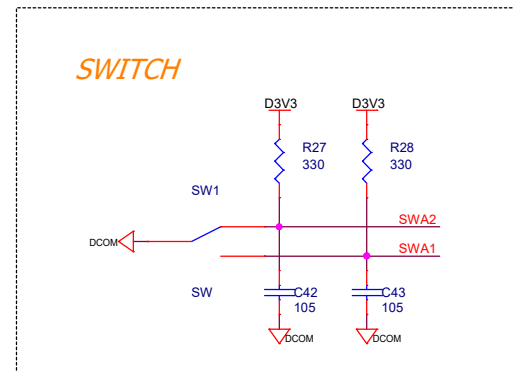
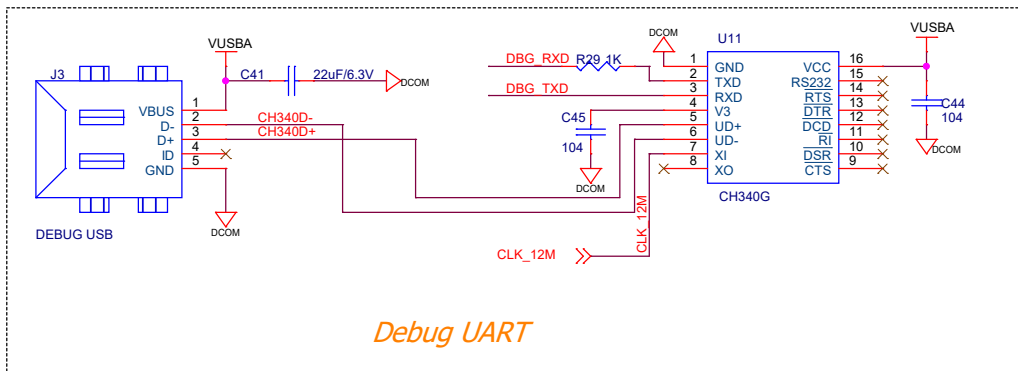
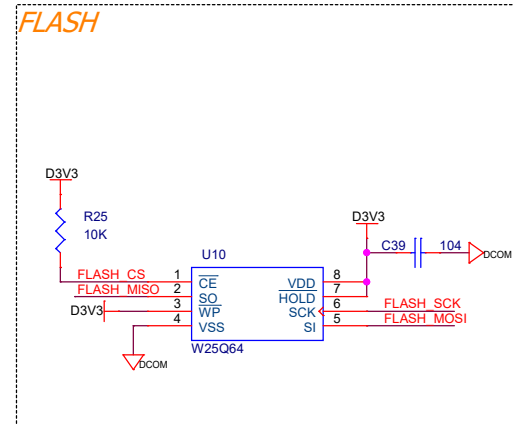
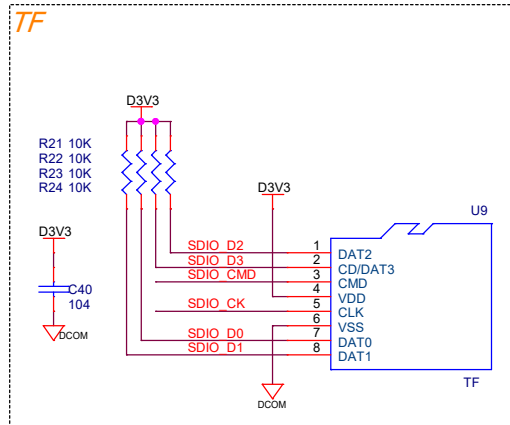
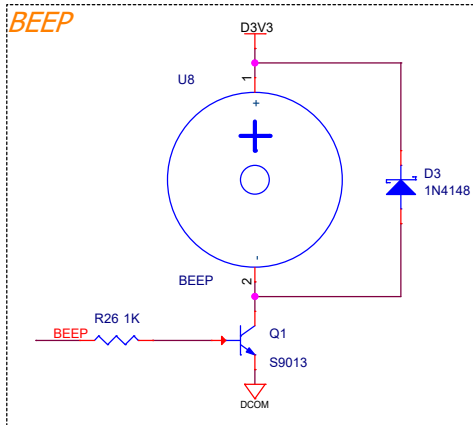
GINGKO Technology Co.,Ltd.		
Title <Title>		
Size A	Document Number <Doc>	Rev <RevCode>
Date:	Monday, November 07, 2016	Sheet 3 of 10

BEEP >> BEEP

SDIO_CMD >> SDIO CMD
 SDIO_CK >> SDIO CK
 SDIO_D0 >> SDIO D0
 SDIO_D1 >> SDIO D1
 SDIO_D2 >> SDIO D2
 SDIO_D3 >> SDIO D3

FLASH_CS >> FLASH CS
 FLASH_SCK >> FLASH SCK
 FLASH_MOSI >> FLASH MOSI
 FLASH_MISO >> FLASH MISO

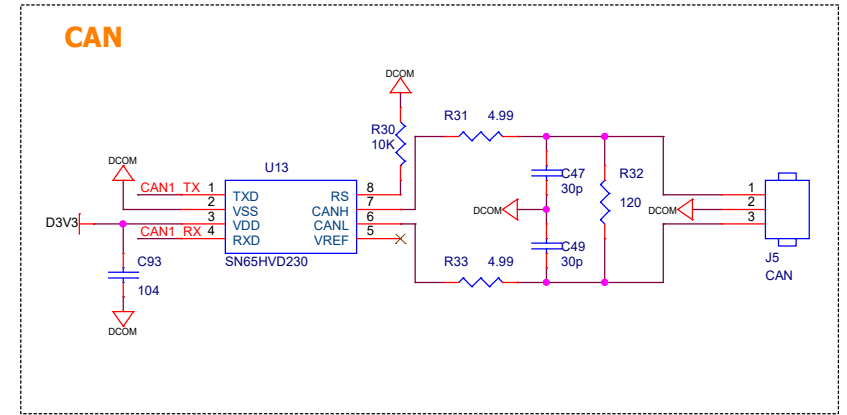
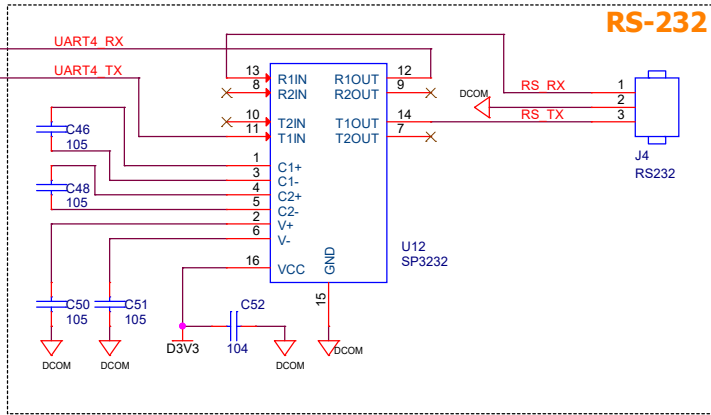
SWA1 >> SWA1
 SWA2 >> SWA2
 DBG_RXD >> DBG_RXD
 DBG_TXD >> DBG_TXD



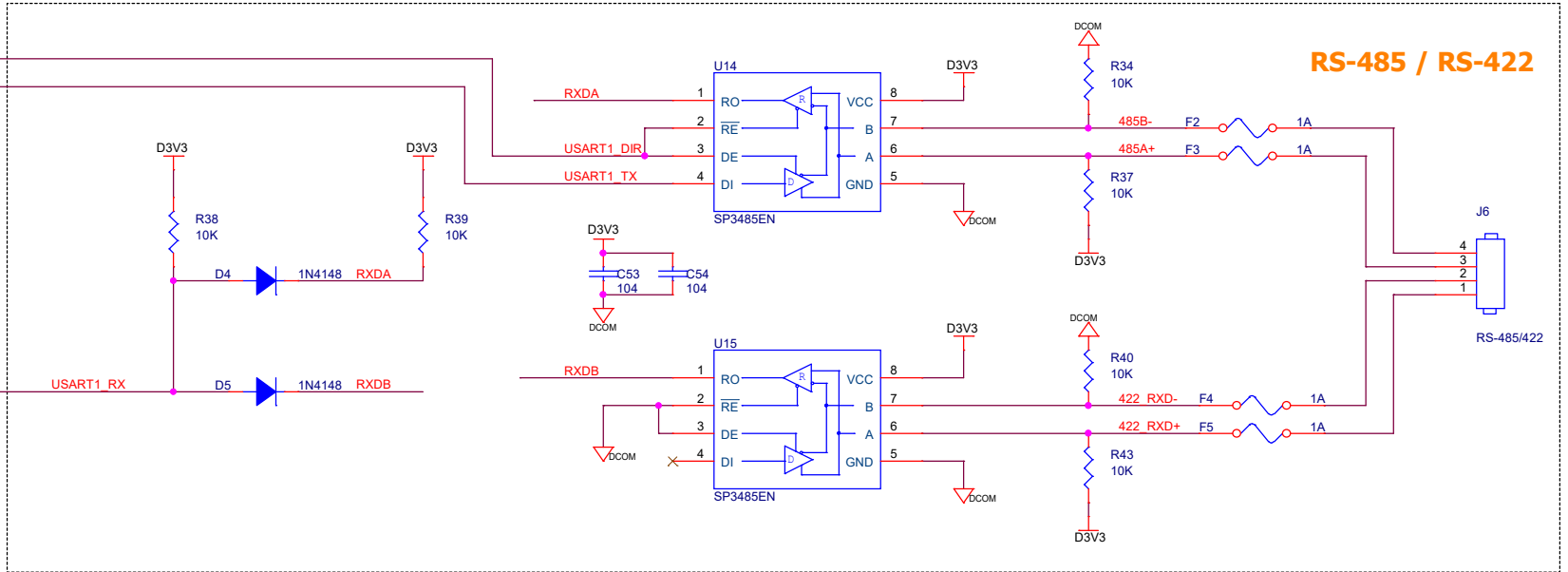
GINGKO Technology Co.,Ltd.		
Title	<Title>	
Size B	Document Number	Rev
Date:	<Doc>	<RevCode>
Monday, November 07, 2016	Sheet 5	of 10

CAN1_TX >> CAN1_TX
 CAN1_RX >> CAN1_RX

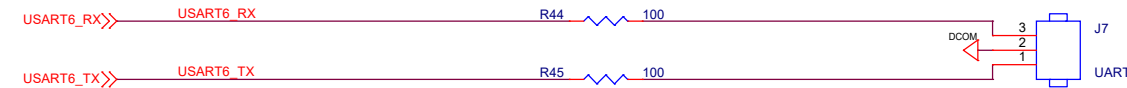
UART4_RX >>
 UART4_TX >>



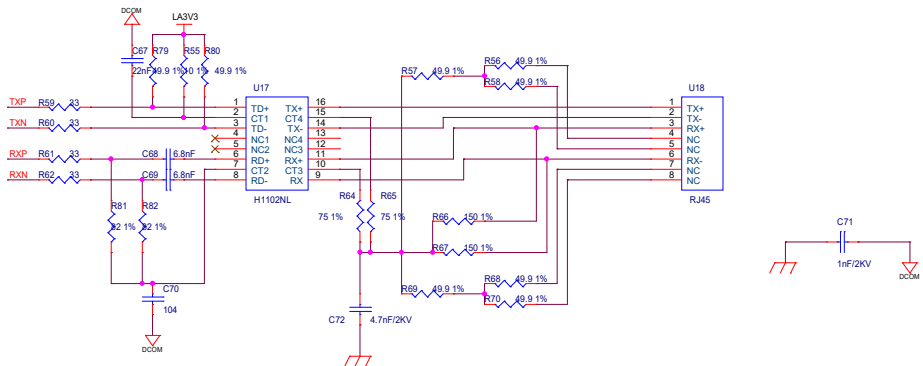
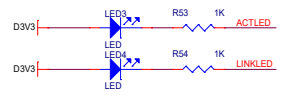
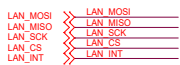
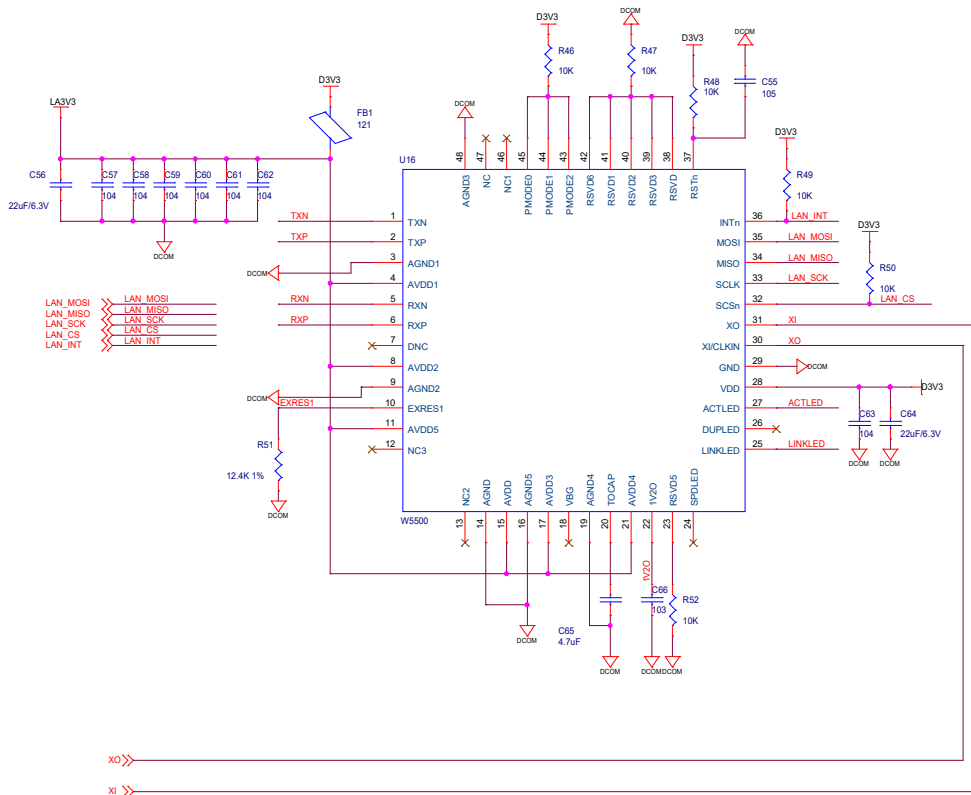
USART1_DIR >> USART1_DIR
 USART1_TX >> USART1_TX
 USART1_RX >>

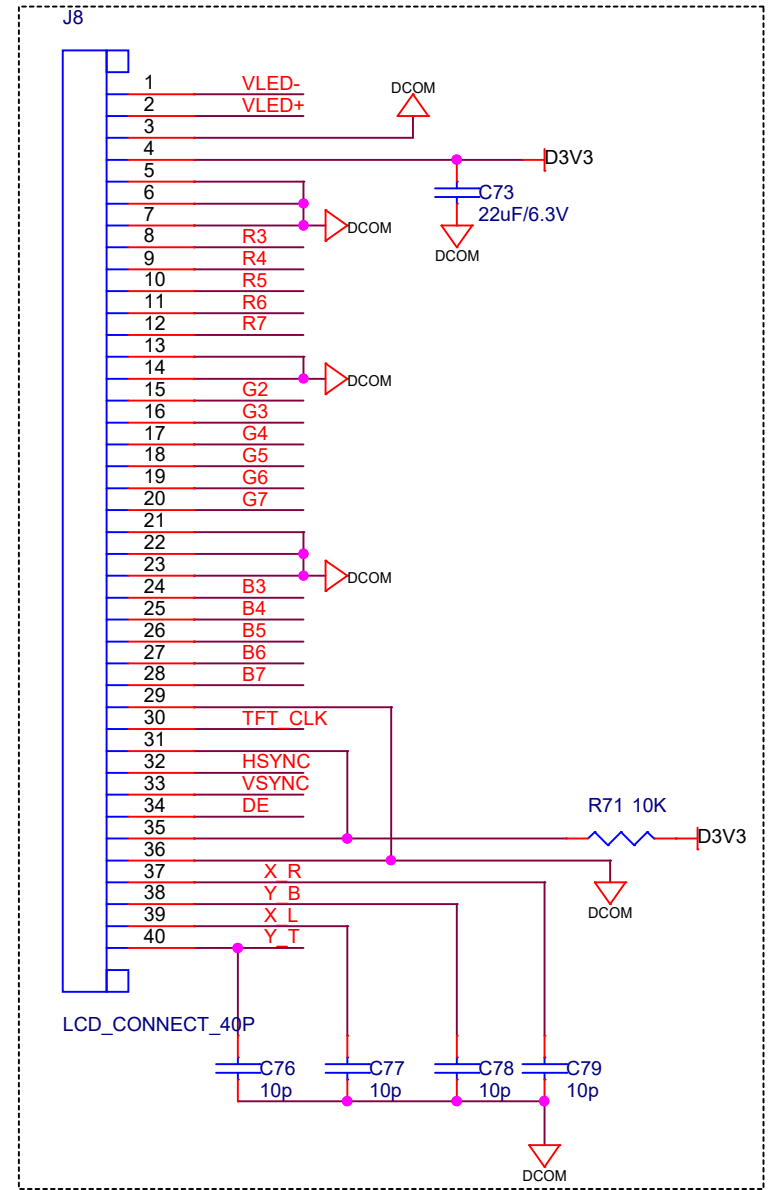
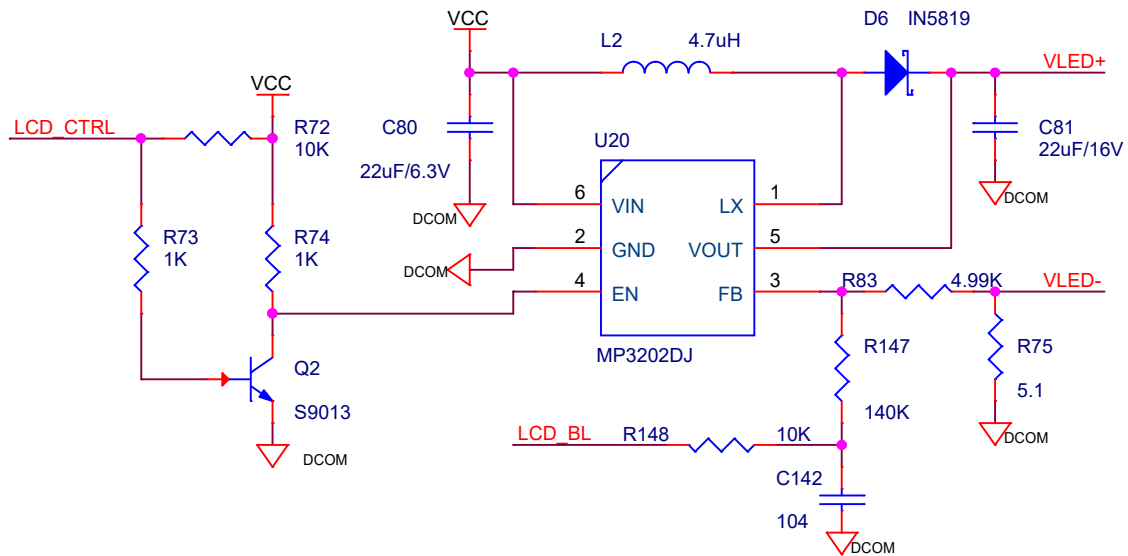
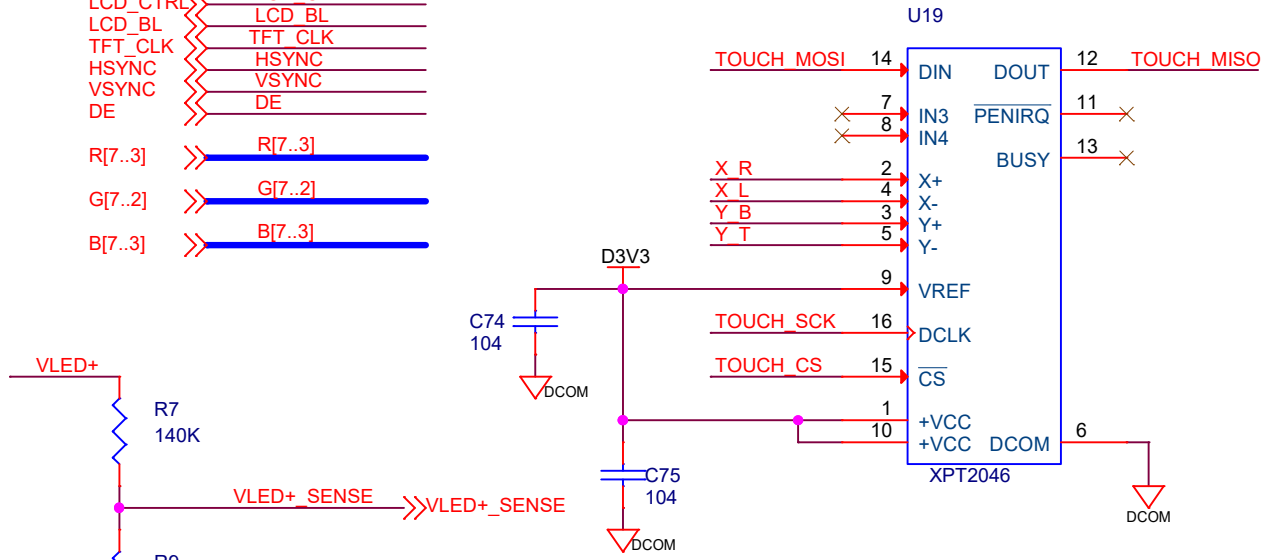
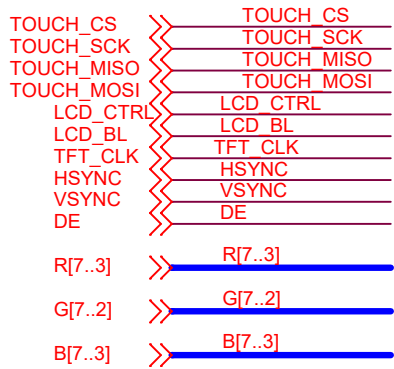


扩展TTL串口



GINGKO Technology Co.,Ltd.		
Title <Title>		
Size B	Document Number <Doc>	Rev <RevCode>
Date: Monday, November 07, 2016	Sheet 6	of 10

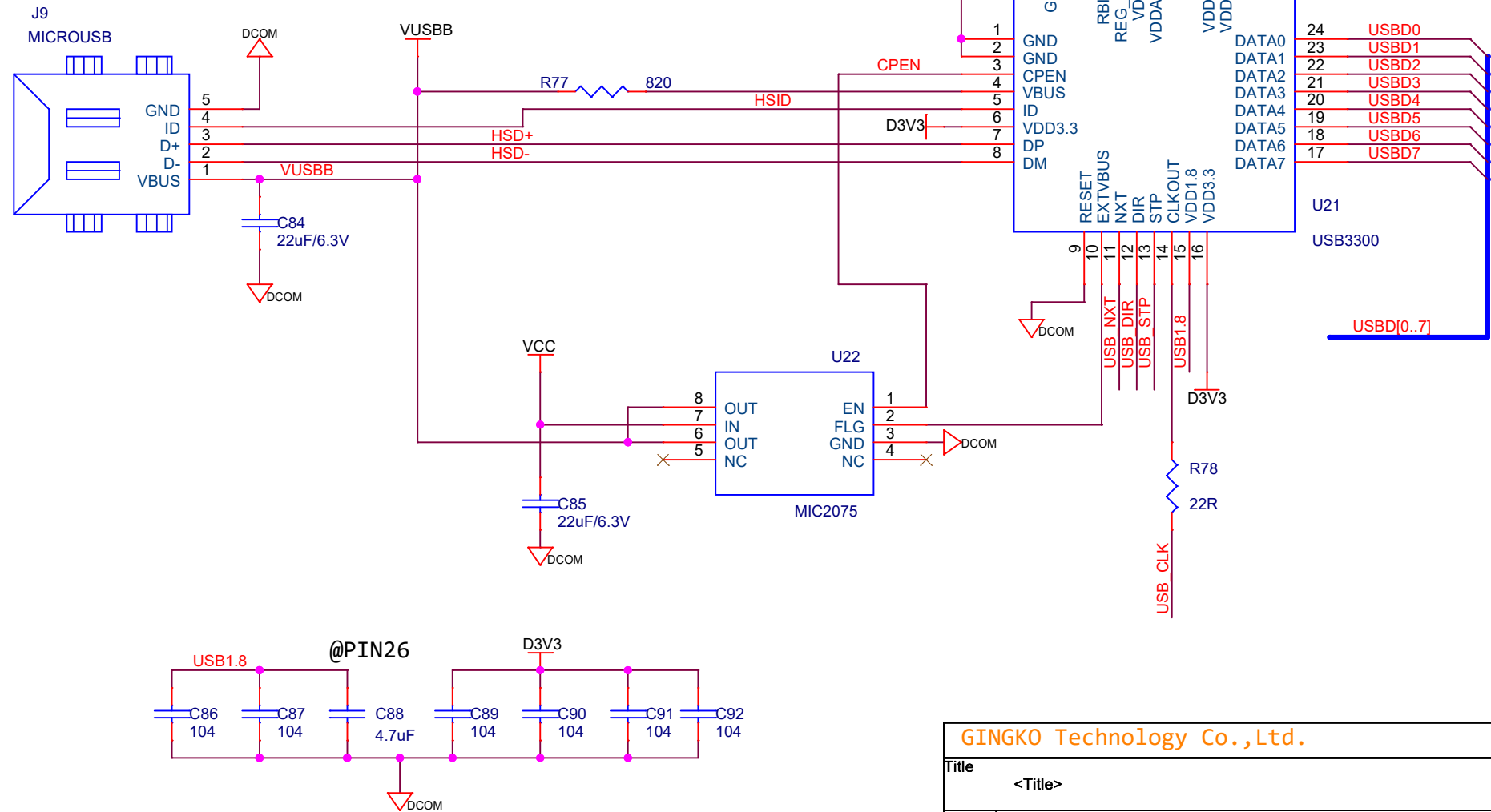




GINGKO Technology Co.,Ltd.

Title		
LCD		
Size	Document Number	Rev
A	<2>	0
Date:	Monday, November 07, 2016	Sheet 8 of 10

CLK_USB >> CLK_USB
 USB_NXT >> USB_NXT
 USB_DIR >> USB_DIR
 USB_STP >> USB_STP
 USB_CLK >> USB_CLK
 USBD[0..7] >> USBD[0..7]



GINGKO Technology Co.,Ltd.		
Title <Title>		
Size A	Document Number <Doc>	Rev <RevCode>
Date: Monday, November 07, 2016	Sheet 9 of 10	