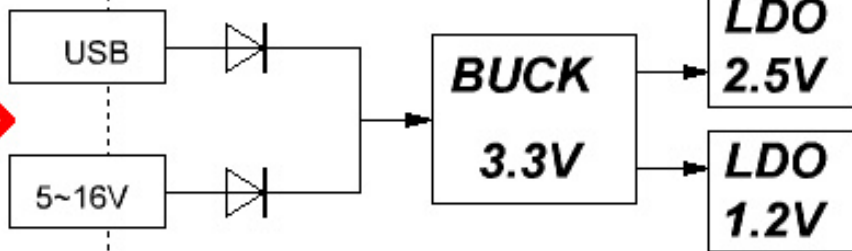
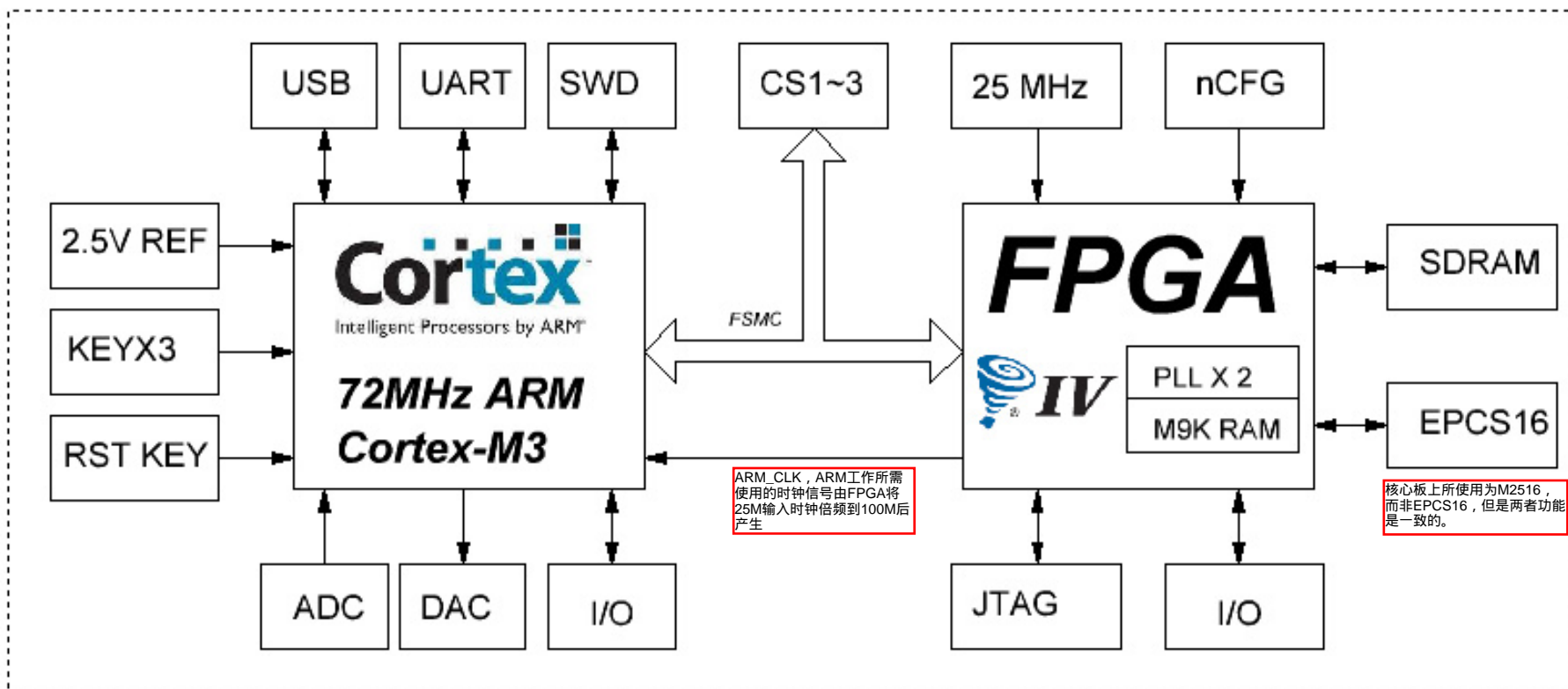




POWER SYSTEM

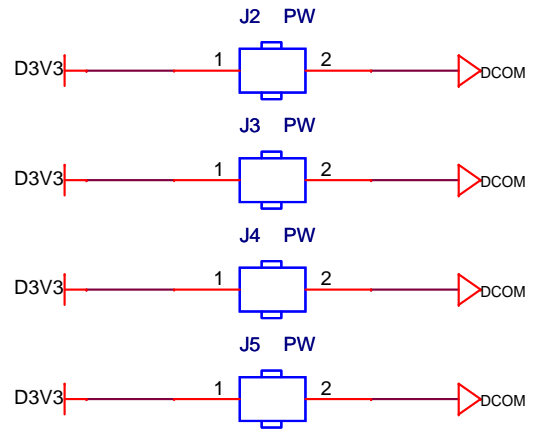
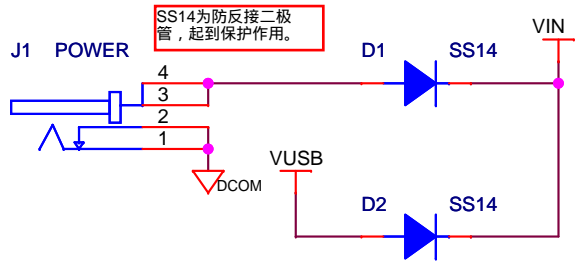


EXPANDED PORT

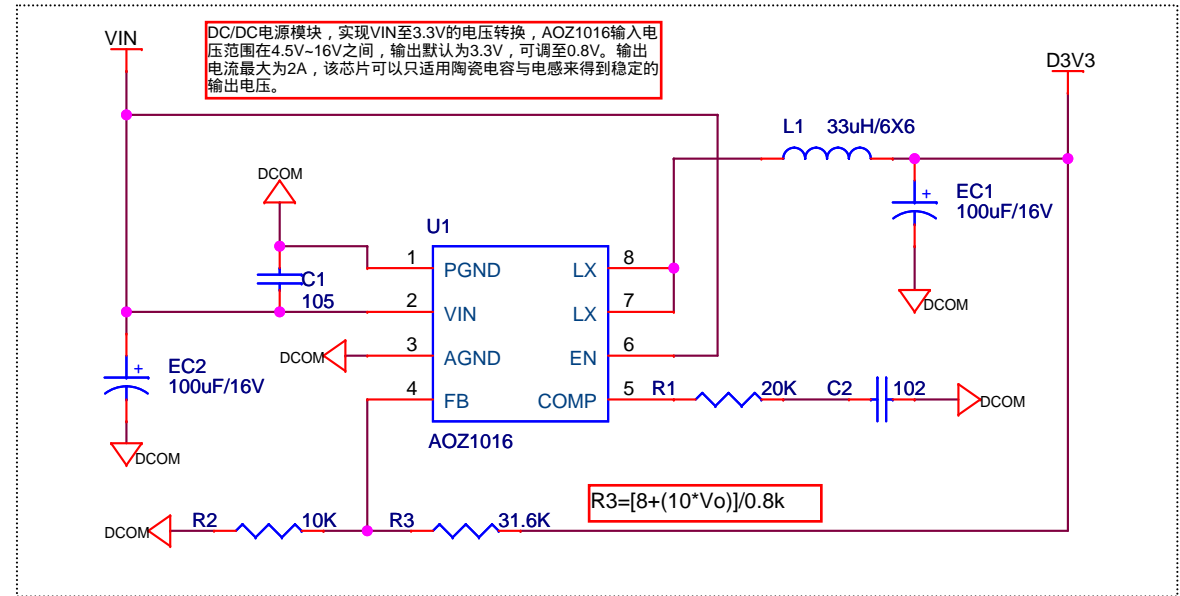


<http://www.heijin.org>

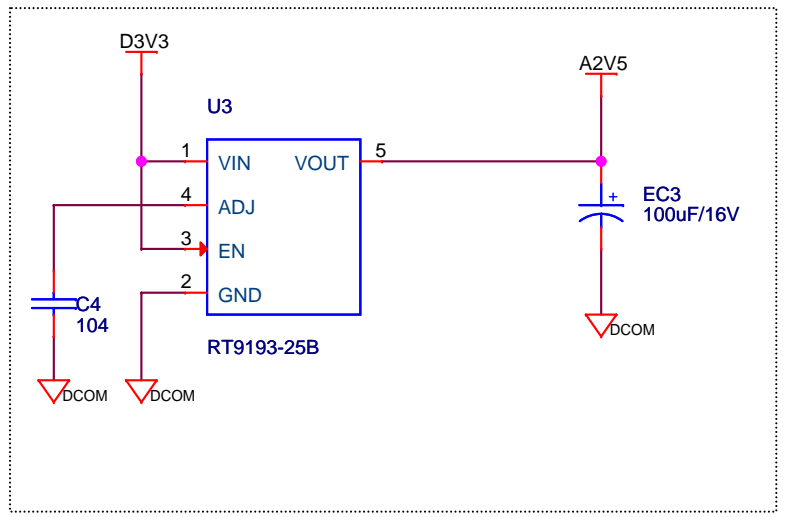
Title		
iCore		
Size	Document Number	Rev
A	1_Diagram	0
Date:	Sunday, May 27, 2012	Sheet 2 of 5



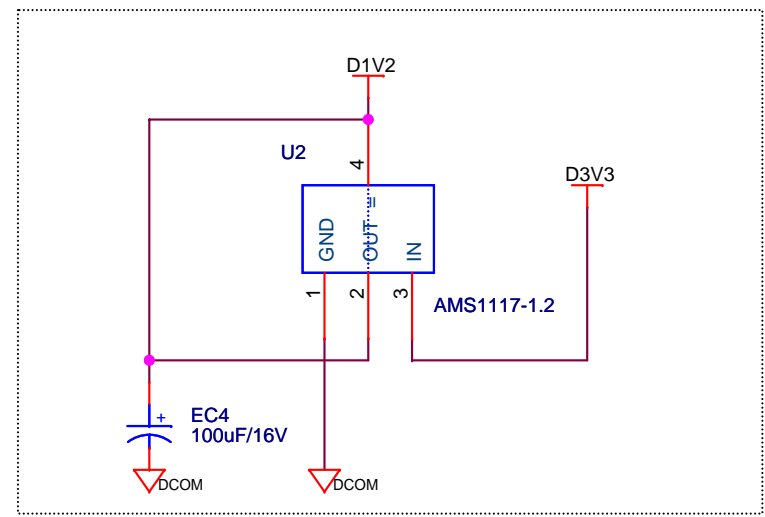
3.3V (BUCK)



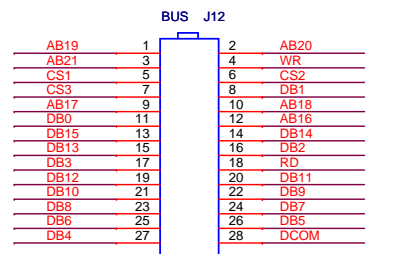
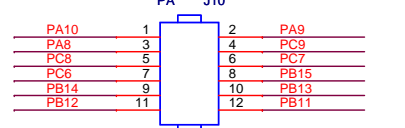
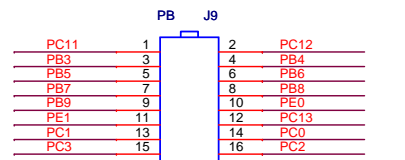
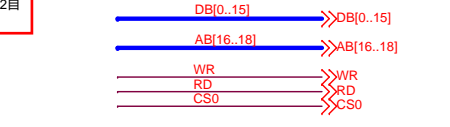
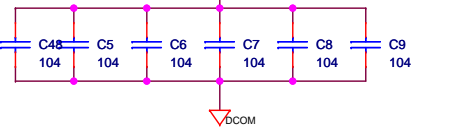
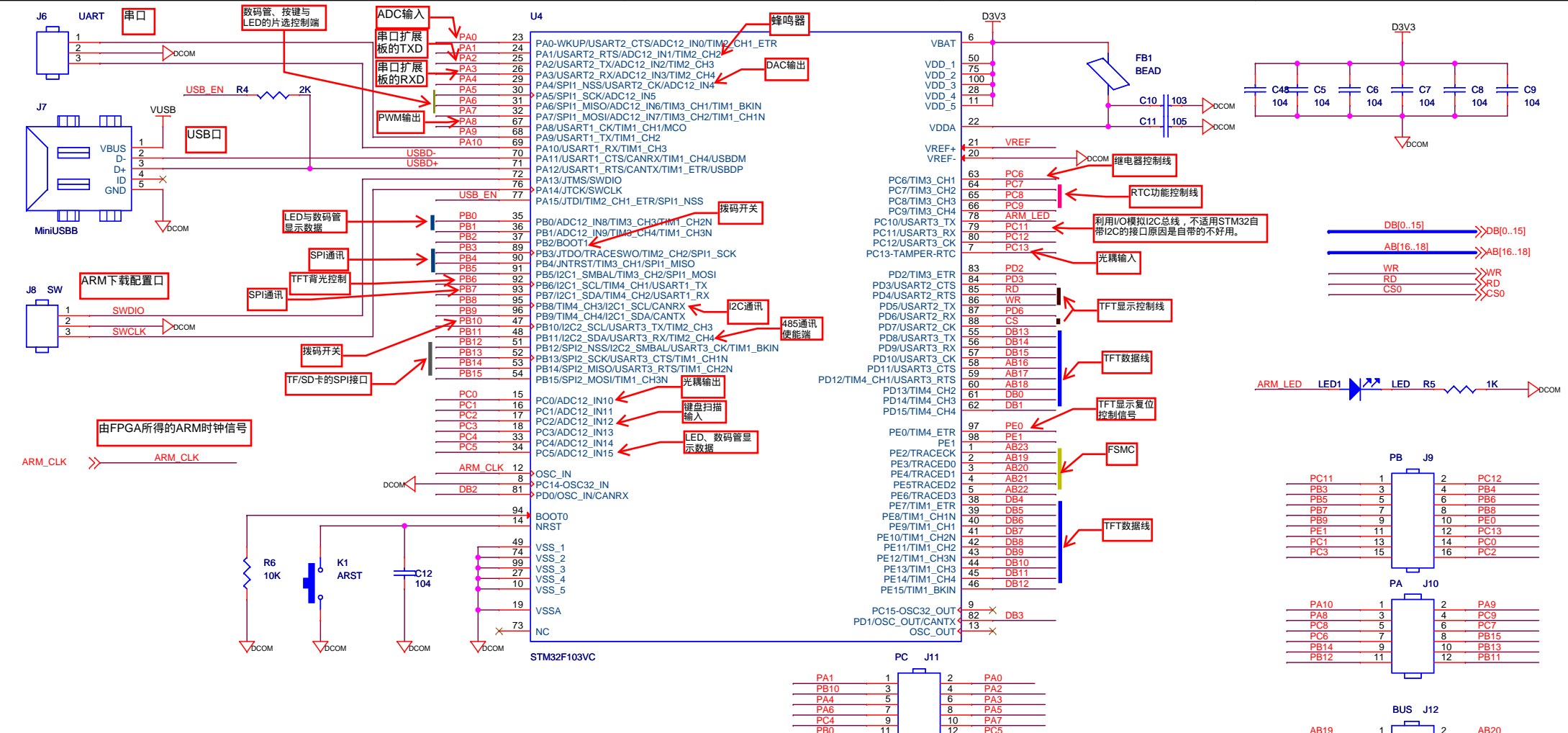
2.5V (LDO)



1.2V (LDO)



http://www.heijin.org		
Title iCORE		
Size A	Document Number 2_POWER	Rev 0
Date:	Sunday, May 27, 2012	Sheet 3 of 5



<http://www.heijin.org>

Title			iCORE
Size	Document Number	Rev	0
B	3_ARM		
Date:	Sunday, May 27, 2012	Sheet	4 of 5

